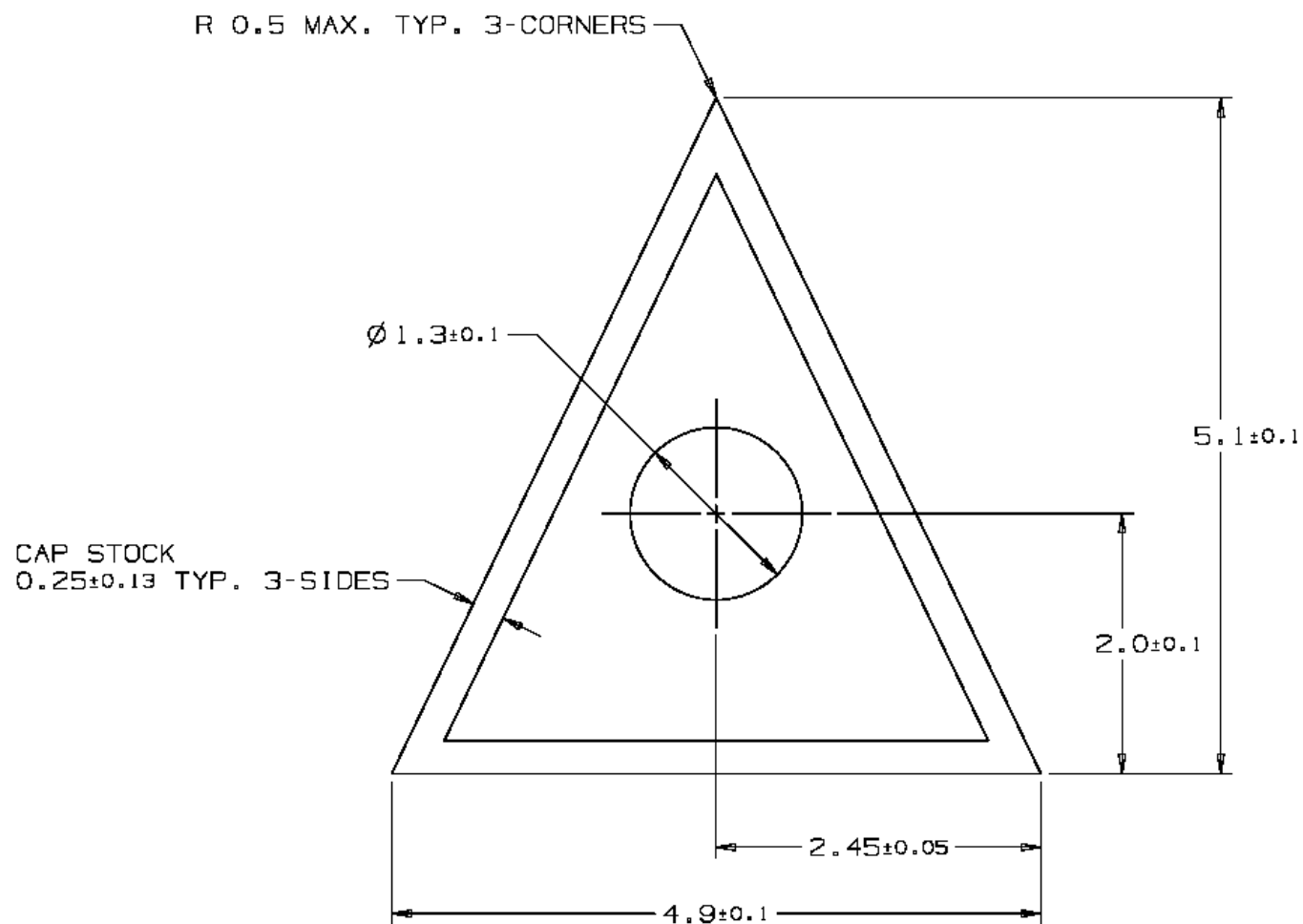


DESCRIPTION: F10082697
 CATEGORY: SCINTILLATOR

PROJECT:

| REV | REVISION CONTROL DOCUMENT | DATES | SIGNATURES | |
|-----|---------------------------|-------|------------|--|
| - | F10082697---RCD | | DRAWN | |
| | | | APPROVED | |



| UNLESS OTHERWISE SPECIFIED | | | | |
|----------------------------|------|-------|------|-----|
| ±X | ±X.X | ±X.XX | ±X/X | ±X° |
| 2 | 0.3 | 0.12 | N/A | 1° |

BREAK ALL SHARP EDGES 0.5 MAX.
 DO NOT SCALE DRAWING
 DIMENSIONS BASED ON ASME Y14.5-2009
 MAX. ALL MACH SURFACES 3.2
 DRAWING UNITS: MM

| | | | |
|----------|-------------------------------------|-----------|-------------|
| DRAWN | W.CYKO | DATE | 30-May-2017 |
| CHECKED | | DATE | |
| APPROVED | | DATE | |
| USED ON | | | |
| MATERIAL | SCINTILLATING POLYSTYRENE | | |
| GROUP | Particle Physics Mechanical Support | CAGE CODE | 04598 |



FERMI NATIONAL ACCELERATOR LABORATORY
 UNITED STATES DEPARTMENT OF ENERGY

NAME
 5.1mm H X 4.9mm W TRIANGULAR
 SCINTILLATOR

| SCALE | SIZE | DRAWING NUMBER | SHEET | REV |
|-------|------|----------------|--------|-----|
| 24:1 | A3 | F10082697 | 1 of 1 | - |