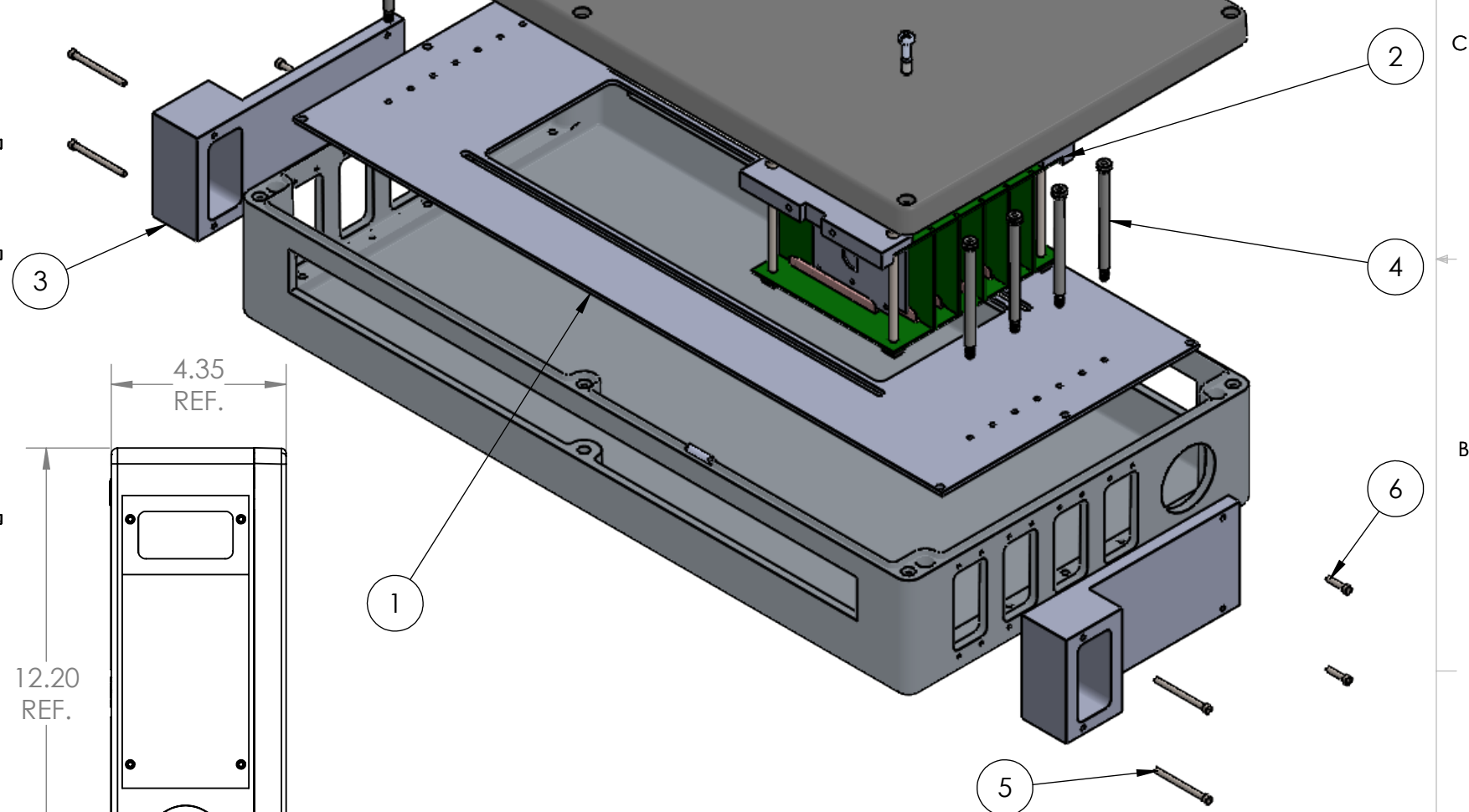
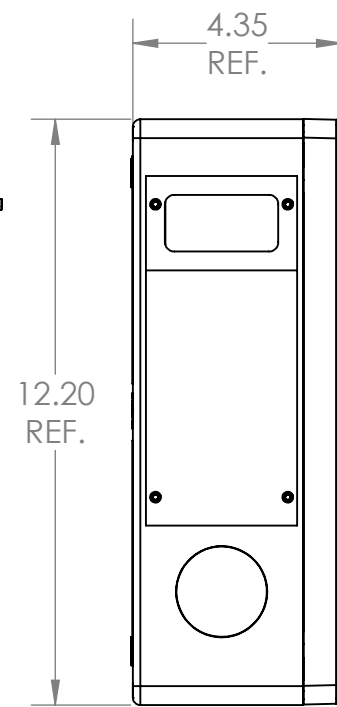
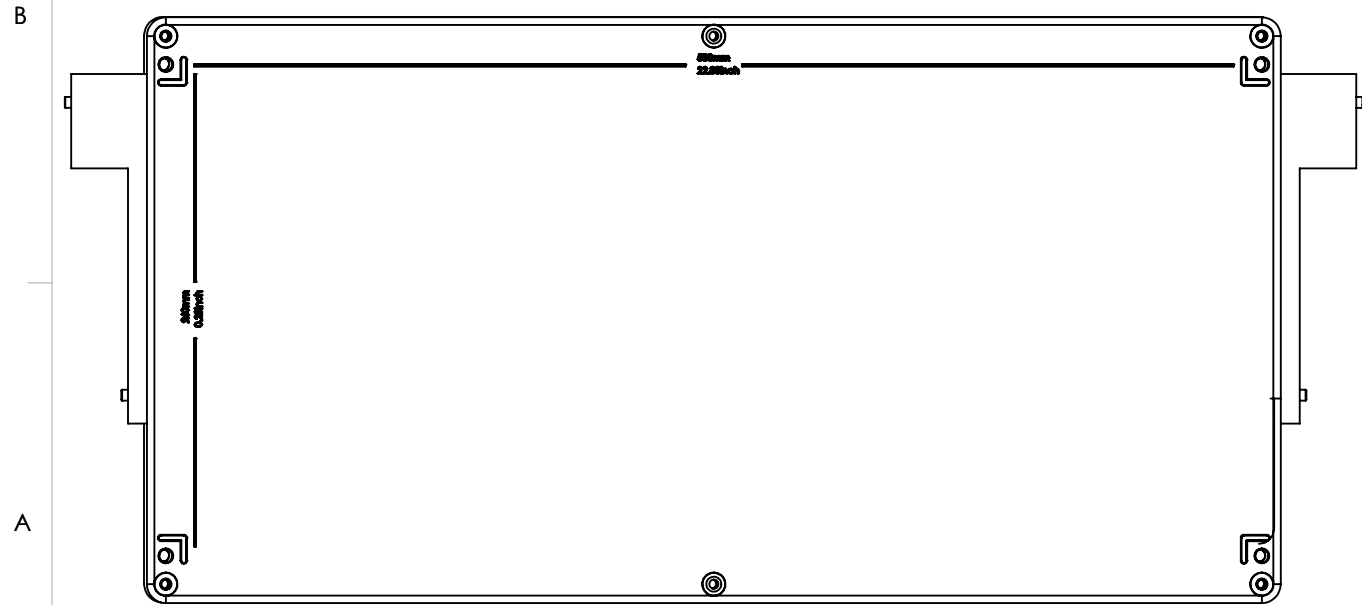
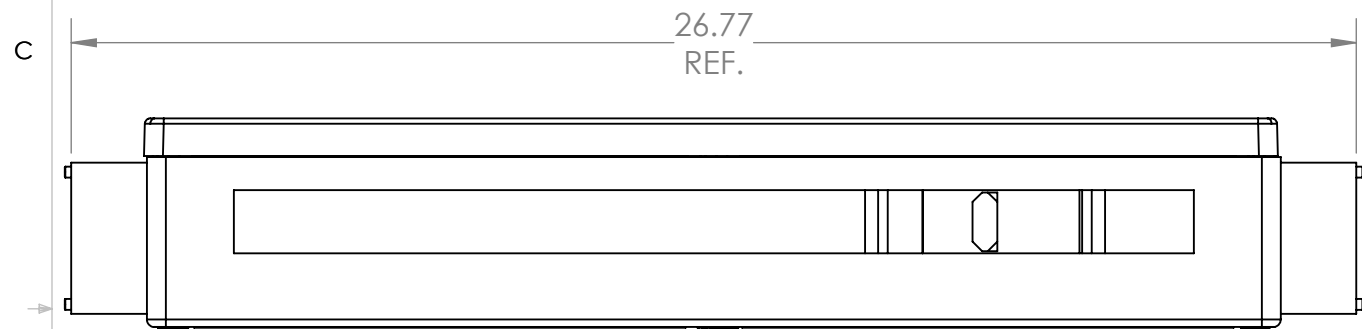



ITEM NO.	PART NUMBER	PartNo	QTY.
1	MountingPlate	126Y-1766895 B4	1
2	Telescope	126Y-1766895 B6	1
3	FeedthroughPlate	126Y-1766895 B5	2
4	10-24 Shoulder Screw, 1/4" Diameter 3" LG	MCMaster-CARR 90298A552 VENDOR TO SUPPLY	8
5	6-32 X 1.75" LG SHCS	VENDOR TO SUPPLY	4
6	6-32 X 0.625" LG SHCS	VENDOR TO SUPPLY	4
7	Rose Enclosure	126Y-1677895 B2	1



P-25 SUBATOMIC PHYSICS UNCLASSIFIED  <small>LOS ALAMOS NATIONAL LABORATORY LOS ALAMOS, NM, 87545</small>	DIMENSIONS ARE IN INCHES TOLERANCES UNLESS SPECIFIED: ANGULAR: $\pm 0^\circ 30'$ TWO PLACE DECIMAL ± 0.01 THREE PLACE DECIMAL ± 0.003 SURFACE FINISH: 128 MICRO-INCH MAX ALL MACHINED SURFACES SURFACES G.A. BREAK ALL SHARP EDGES	NAME O'SHAUGHNESSY	DATE 6/30/2017	Box
	MATERIAL SEE BOM	DRAWN O'SHAUGHNESSY	CHECKED ENG APPR.	
	NEXT ASSEMBLY TOP LEVEL	COMMENTS:		
	SIZE B	DWG. NO. 126Y-1766895-B1	REV. -	

SCALE: 1:4 WEIGHT: SHEET 1 OF 1

8 7 6 5 4 3 2 1

D

D

C

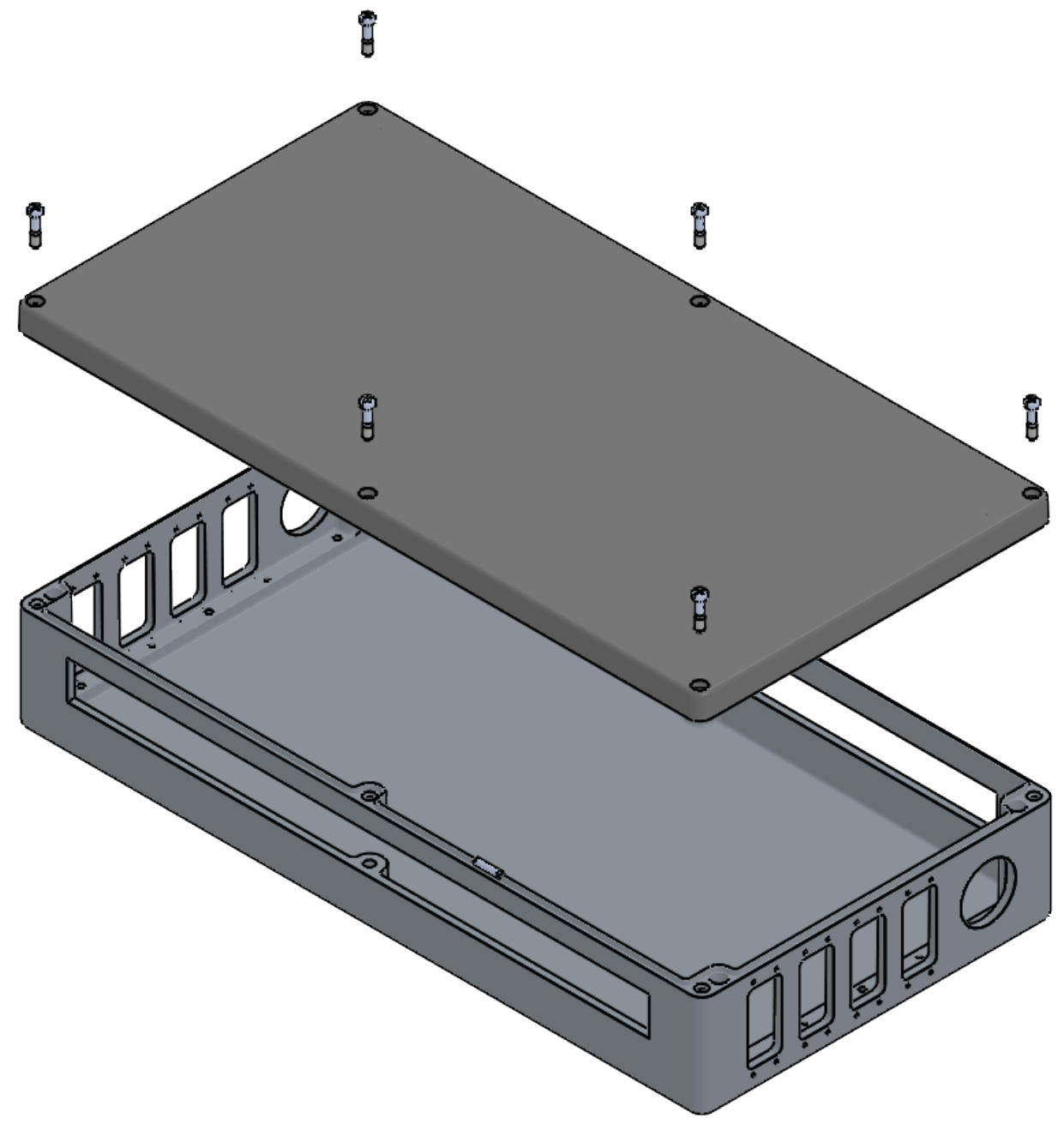
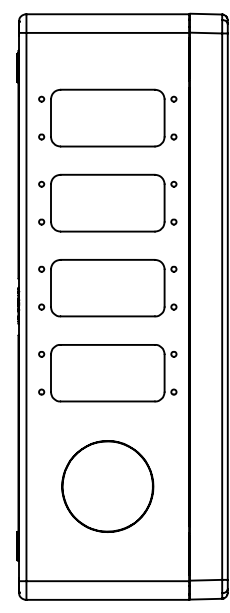
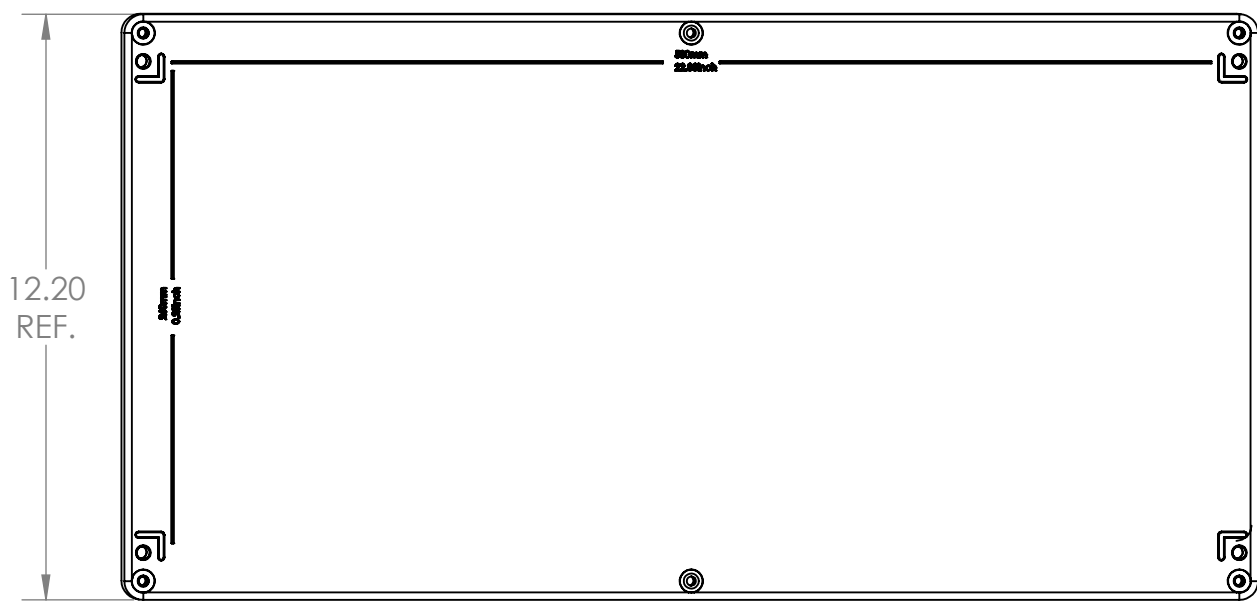
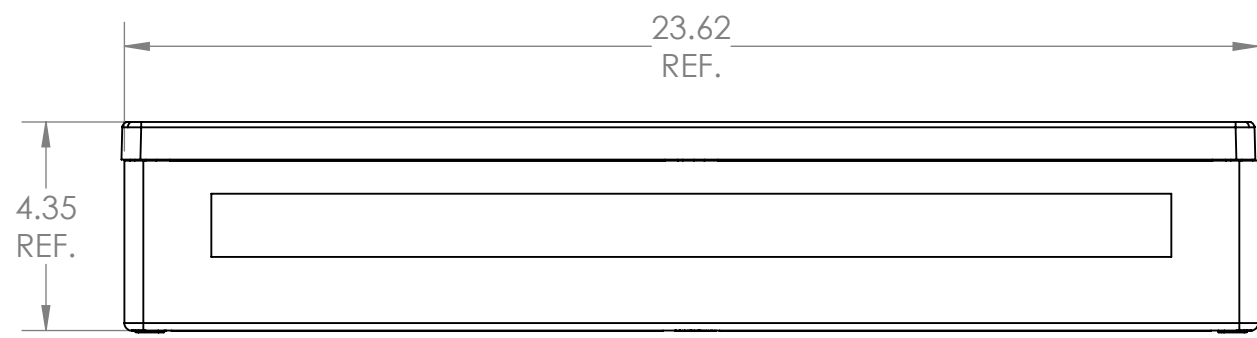
C

B

B

A

A



NOTE:
ALL COMPONENTS FROM STOCK ROSE ENCLOSURE #013160110
MODIFICATIONS DETAILED IN B3

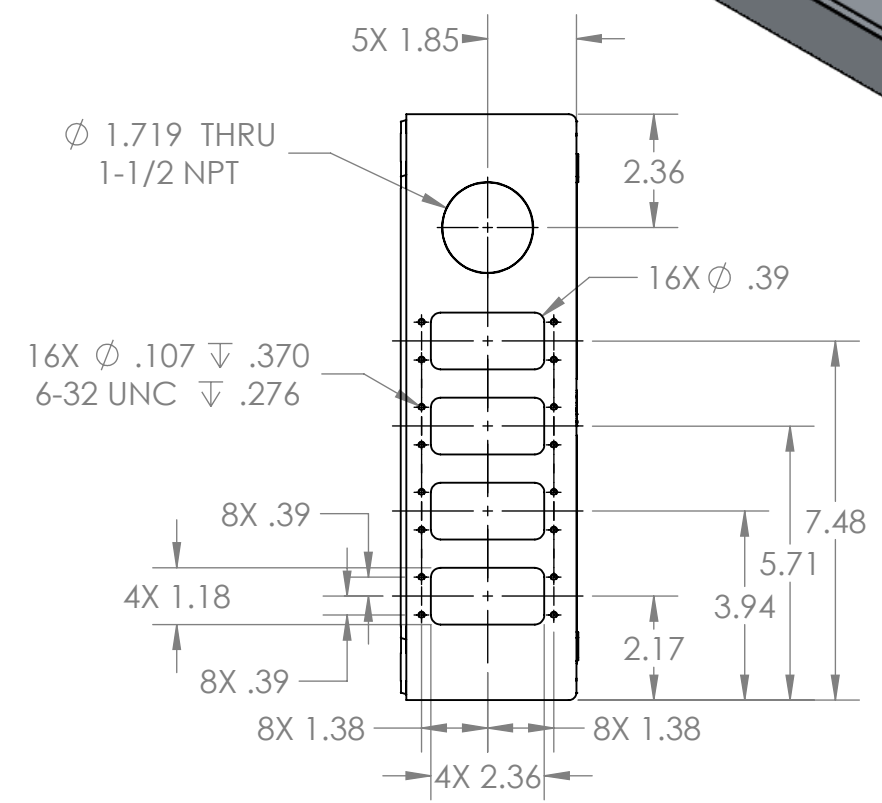
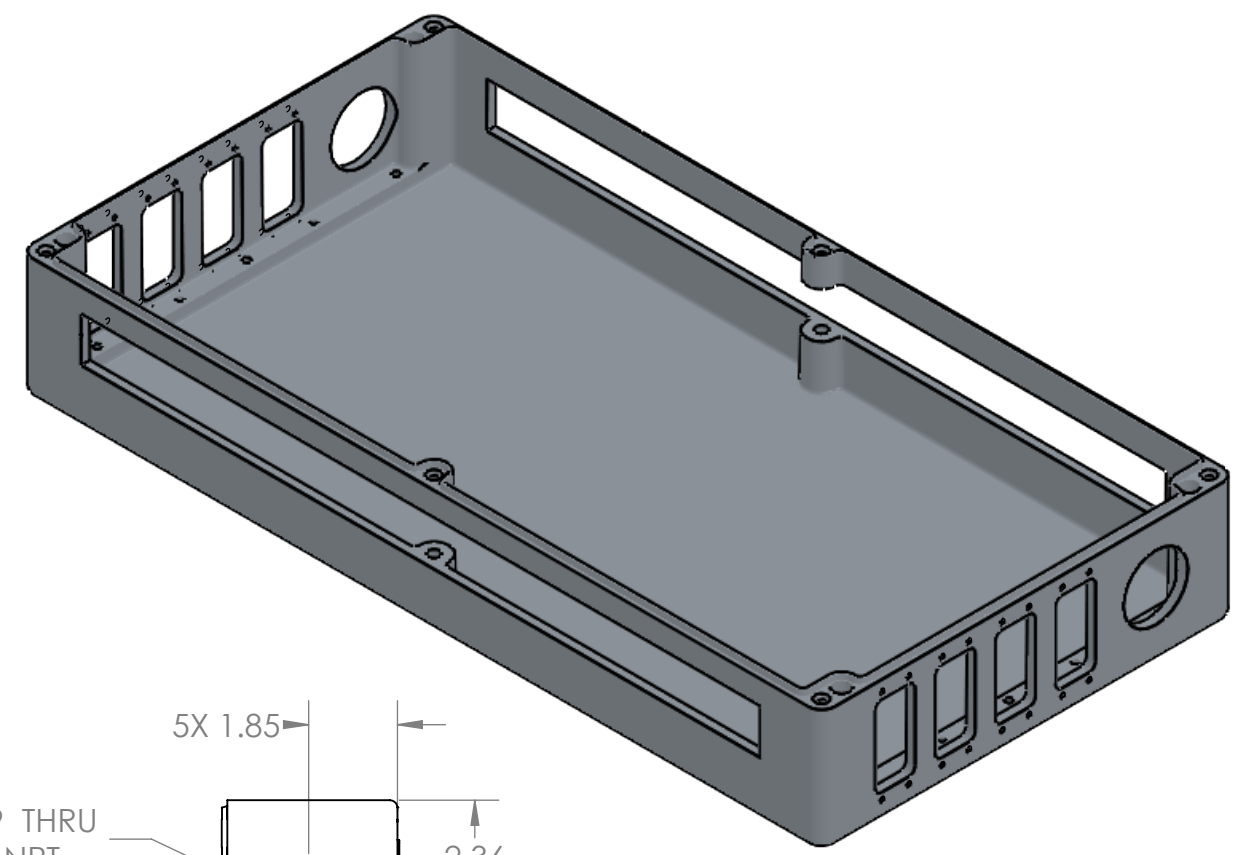
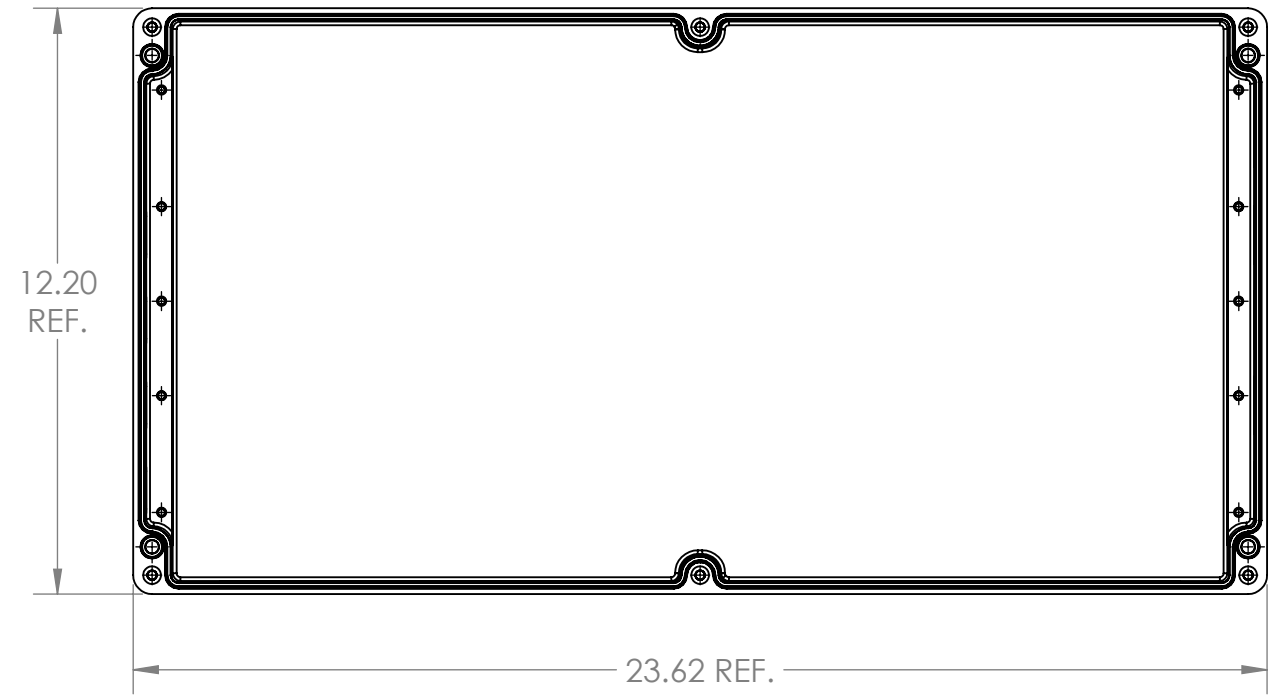
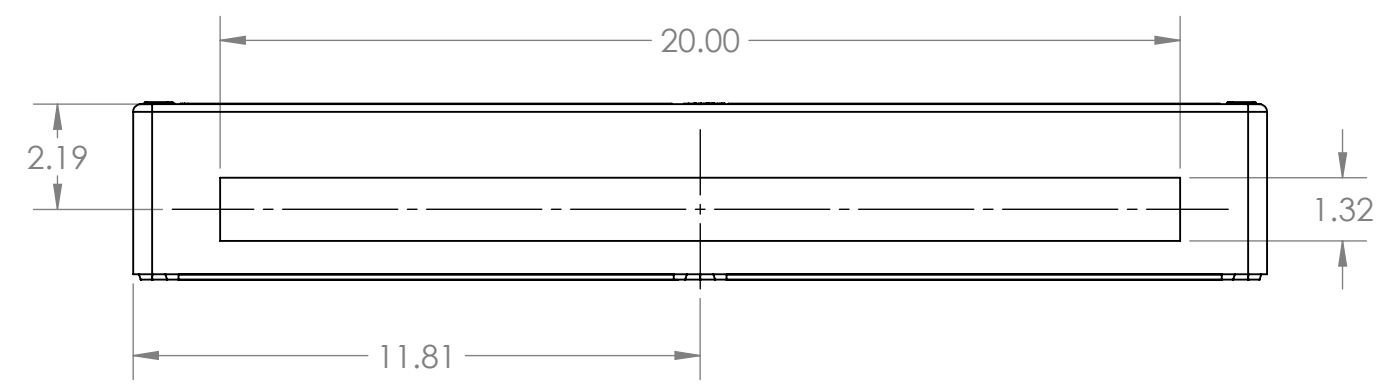
<p>P-25 SUBATOMIC PHYSICS</p> <p>UNCLASSIFIED</p> <p>LOS ALAMOS NATIONAL LABORATORY LOS ALAMOS, NM, 87545</p>	DIMENSIONS ARE IN INCHES TOLERANCES UNLESS SPECIFIED: ANGULAR: $\pm 0^\circ 30'$ TWO PLACE DECIMAL ± 0.01 THREE PLACE DECIMAL ± 0.003 SURFACE FINISH: 128 MICRO-INCH MAX ALL MACHINED SURFACES G.A. BREAK ALL SHARP EDGES		NAME O'SHAUGHNESSY	DATE 6/30/2017	Rose Enclosure	
	DRAWN	CHECKED	ENG APPR.	COMMENTS:		
	MATERIAL SEE NOTE	NEXT ASSEMBLY 126Y-1766895 B1	SIZE B	DWG. NO. 126Y-1677895 B2		REV. -
	SCALE: 1:4	WEIGHT:	SHEET 1 OF 1			

8 7 6 5 4 3 2 1

8 7 6 5 4 3 2 1

D
C
B
A

D
C
B
A



NOTES:
 1. FEATURES ARE MIRRORED FROM BOTH TOP TO BOTTOM AND LEFT TO RIGHT
 2. MATERIAL: ROSE ENCLOSURE #013160110; DIGIKEY VENDOR #902-1326-ND

<p>P-25 SUBATOMIC PHYSICS</p> <p>UNCLASSIFIED</p> <p>LOS ALAMOS NATIONAL LABORATORY EST. 1943 LOS ALAMOS, NM, 87545</p>	DIMENSIONS ARE IN INCHES TOLERANCES UNLESS SPECIFIED: ANGULAR: ±0° 30' TWO PLACE DECIMAL ± 0.01 THREE PLACE DECIMAL ± 0.003 SURFACE FINISH: 128 MICRO-INCH MAX ALL MACHINED SURFACES G.A. BREAK ALL SHARP EDGES		NAME	DATE	ENCLOSURE BODY
	DRAWN	O'SHAUGHNESSY	6/16/2017		
	CHECKED				
	ENG APPR.				
MATERIAL	SEE NOTES	COMMENTS:			
NEXT ASSEMBLY	126Y-1766895 B2	SIZE	DWG. NO.	REV.	
		B	126Y-1766895 B3	-	
		SCALE:1:4	WEIGHT:	SHEET 1 OF 1	

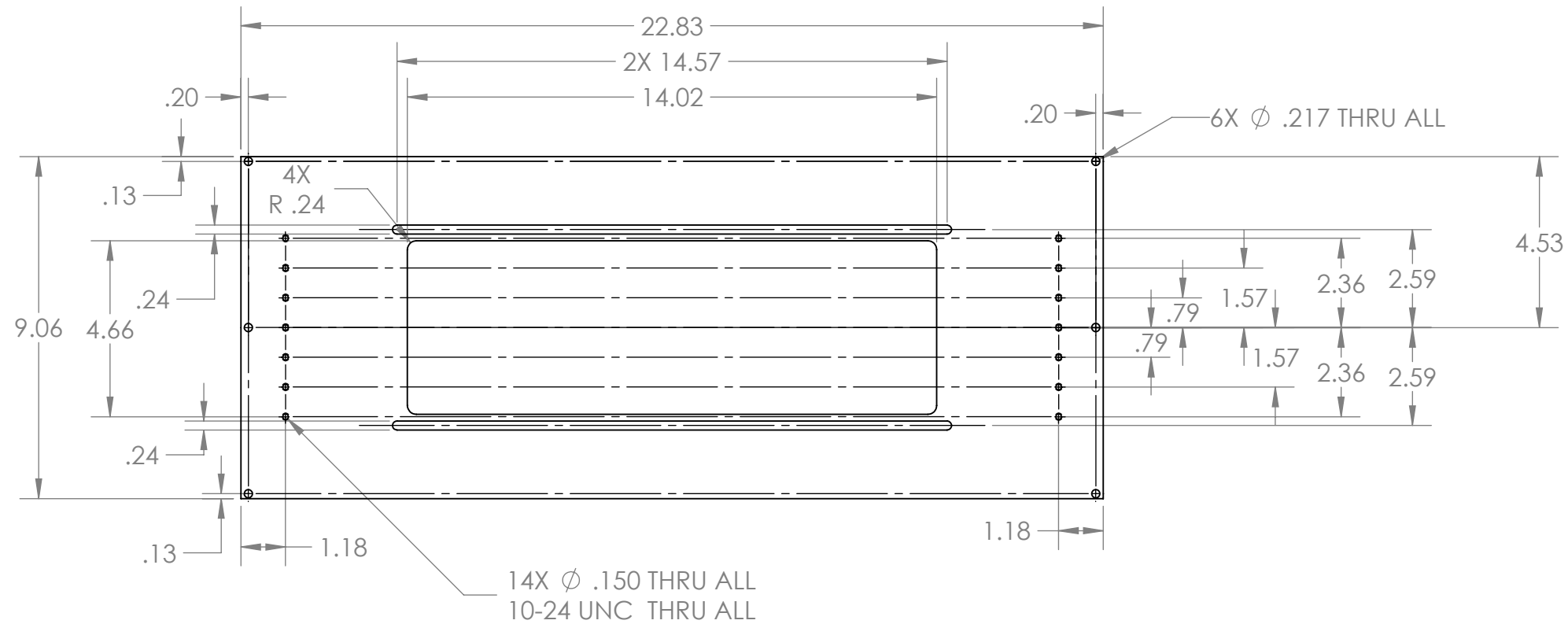
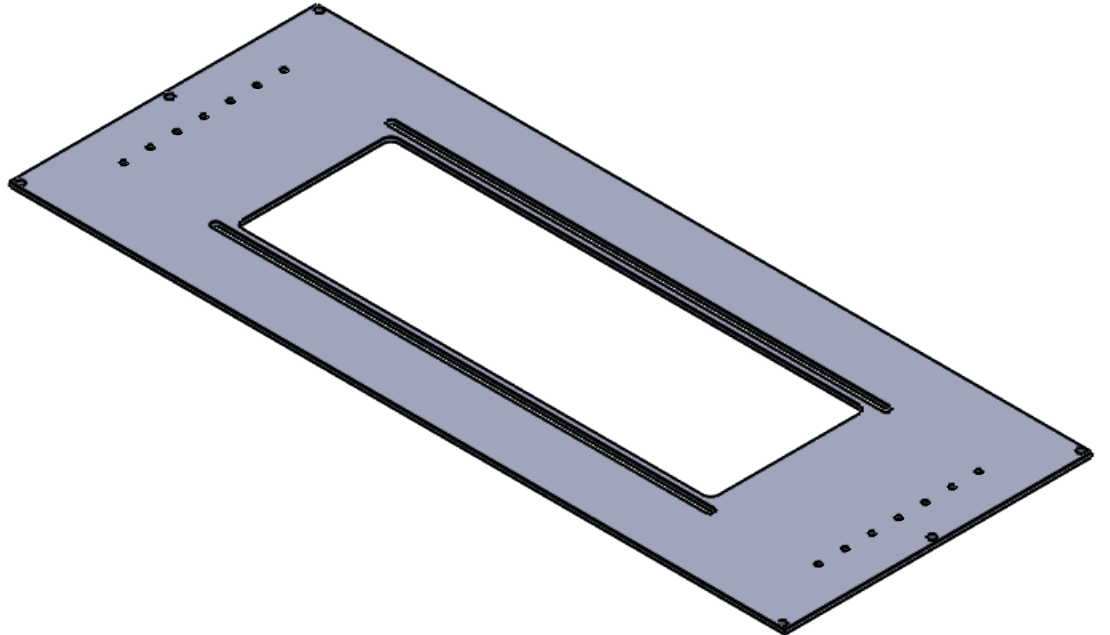
8 7 6 5 4 3 2 1


8 7 6 5 4 3 2 1

D
C
B
A

D
C
B
A

.125
STOCK



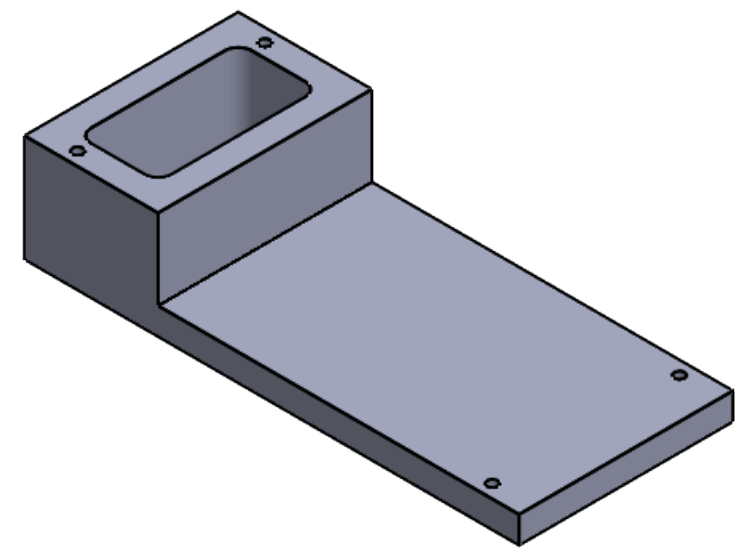
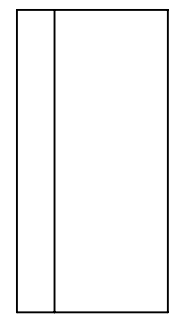
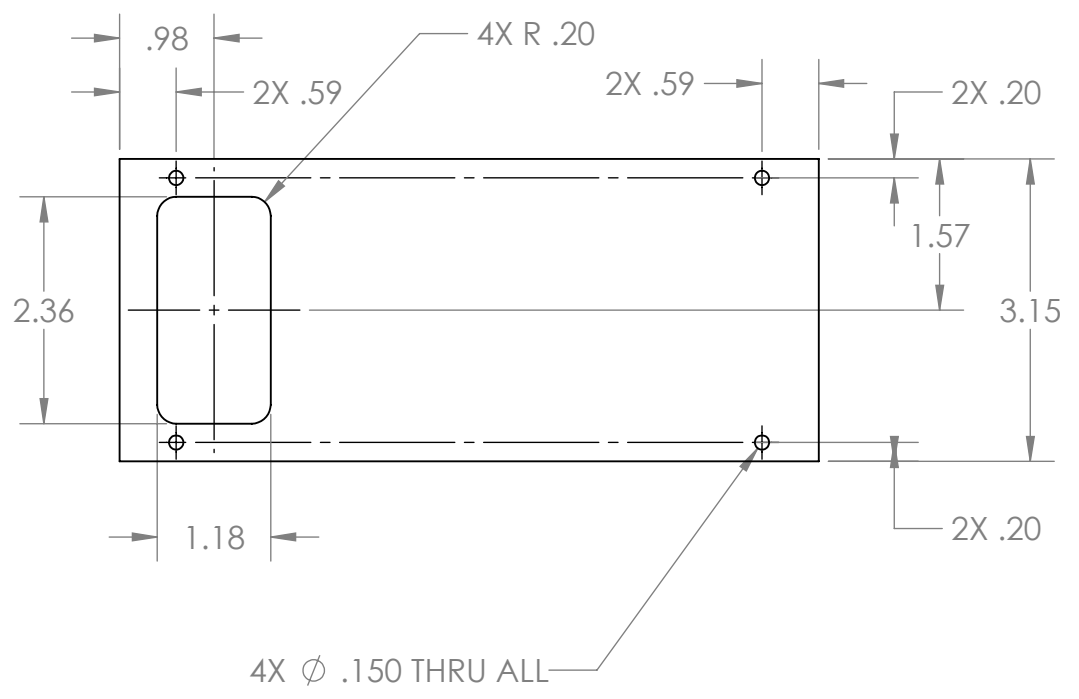
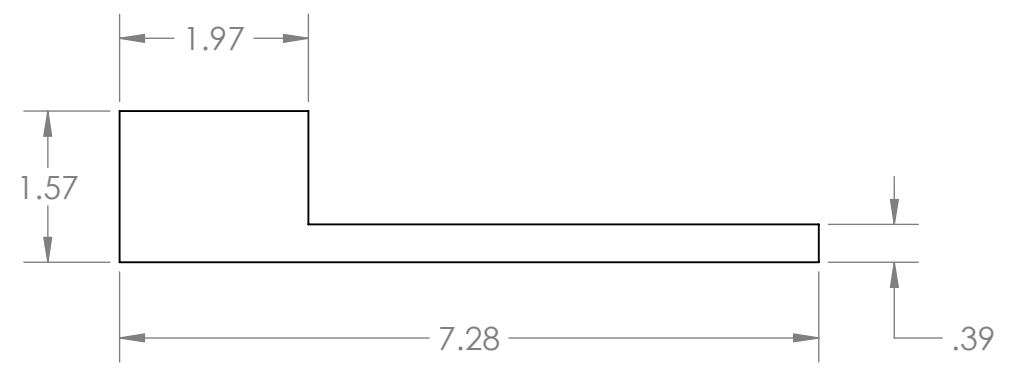
<p>P-25 SUBATOMIC PHYSICS</p> <p>UNCLASSIFIED</p>  <p>LOS ALAMOS NATIONAL LABORATORY LOS ALAMOS, NM, 87545</p>	DIMENSIONS ARE IN INCHES TOLERANCES UNLESS SPECIFIED: ANGULAR: $\pm 0^\circ 30'$ TWO PLACE DECIMAL ± 0.01 THREE PLACE DECIMAL ± 0.003 SURFACE FINISH: 128 MICRO-INCH MAX ALL MACHINED SURFACES G.A. BREAK ALL SHARP EDGES		NAME O'SHAUGHNESSY	DATE 6/16/2017	MountingPlate
	MATERIAL ALUMINUM		DRAWN O'SHAUGHNESSY	CHECKED []	
	NEXT ASSEMBLY 126Y-1766895 B1		ENG APPR. []	COMMENTS: []	
	SIZE B		DWG. NO. 126Y-1766895 B4		
SCALE: 1:4		WEIGHT:		SHEET 1 OF 1	


8 7 6 5 4 3 2 1

8 7 6 5 4 3 2 1

D
C
B
A

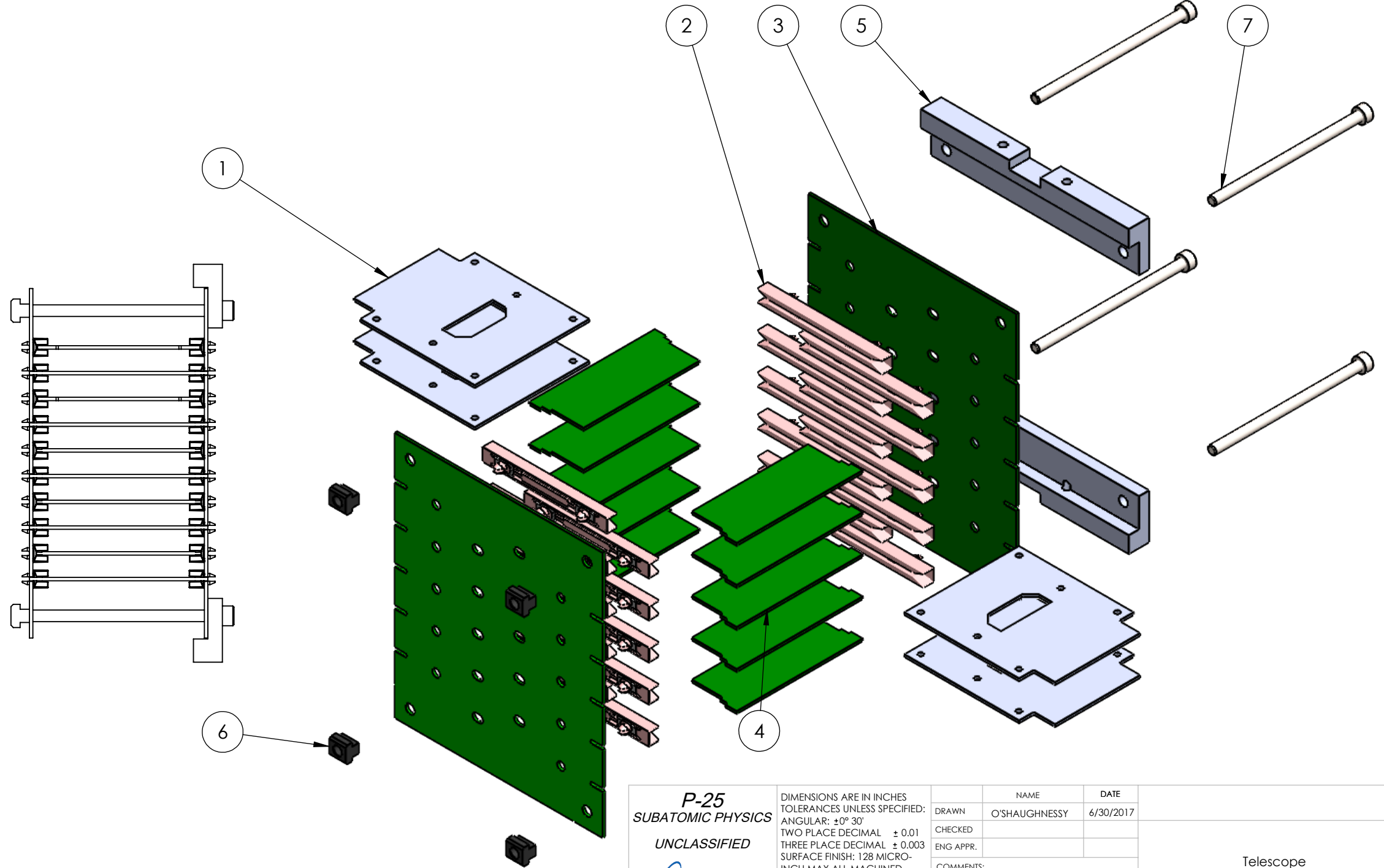
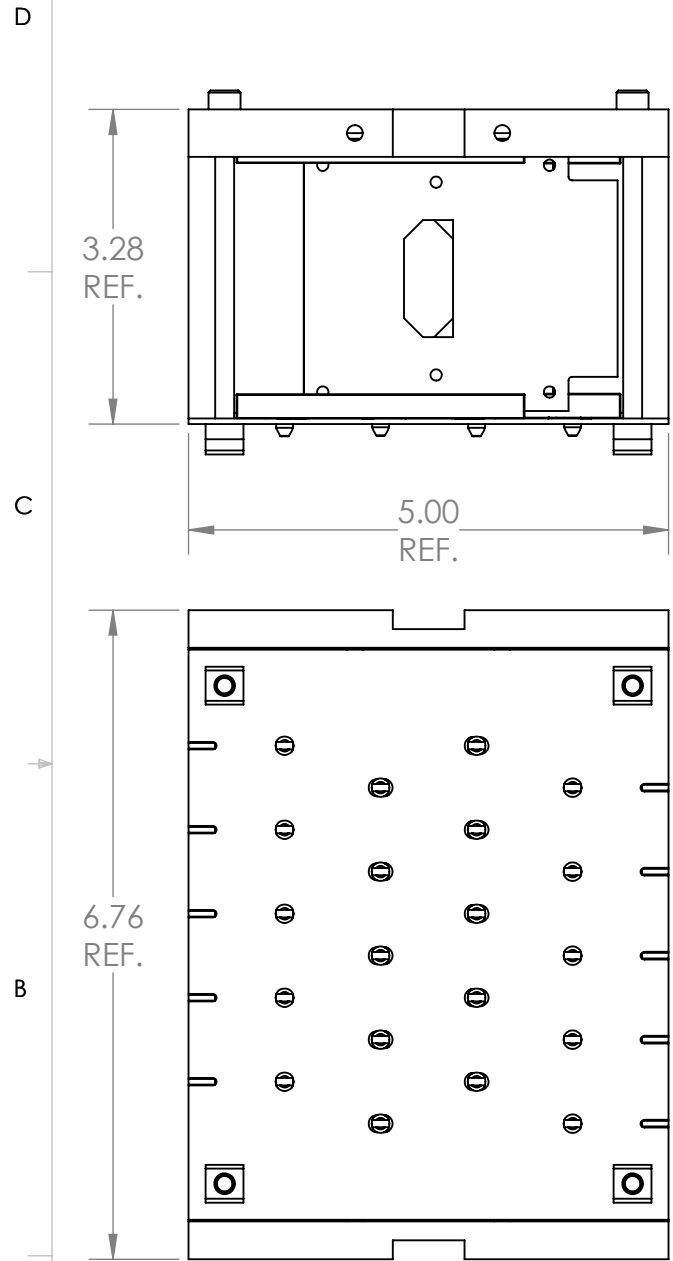
D
C
B
A




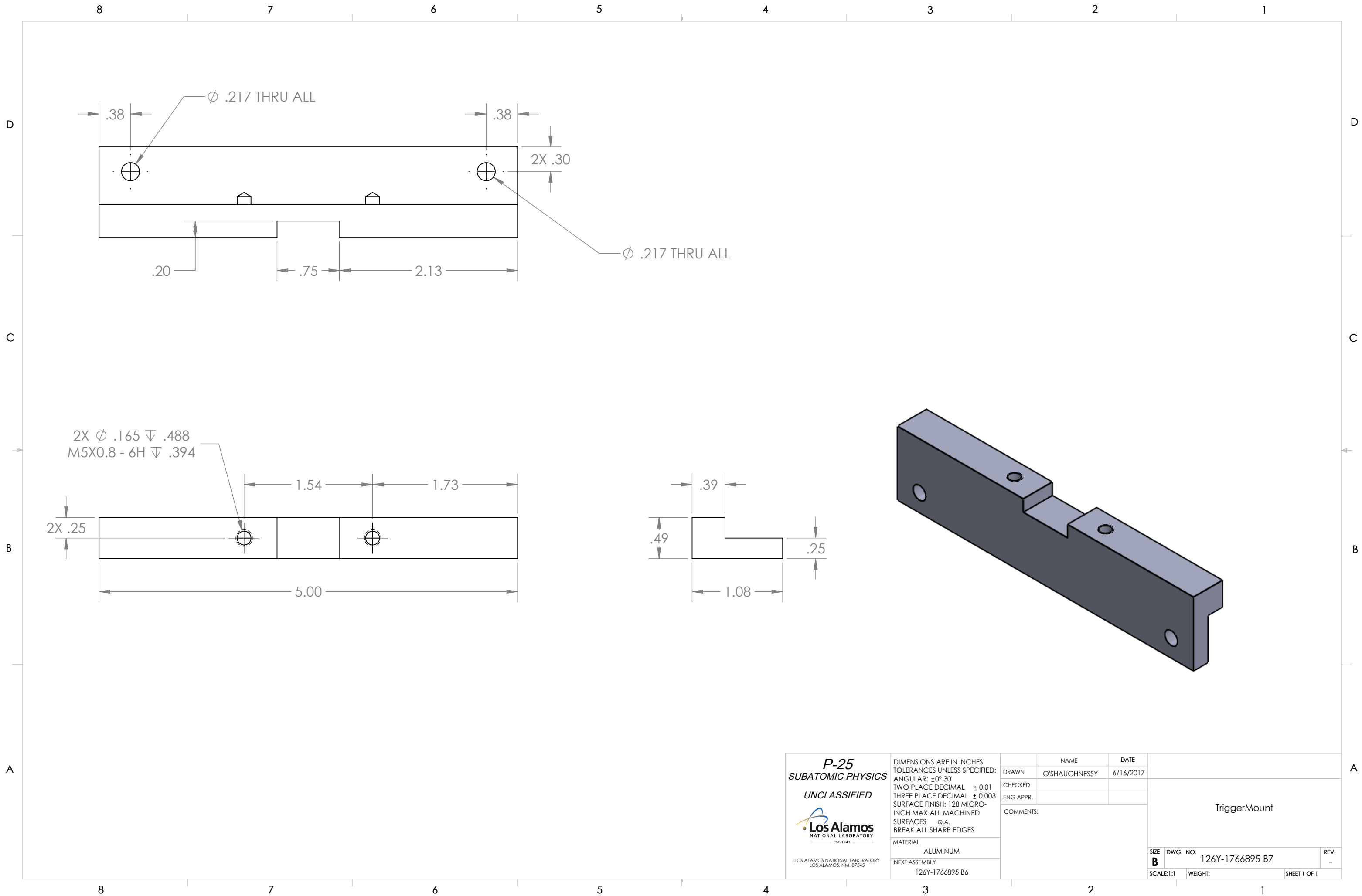
<p>P-25 SUBATOMIC PHYSICS</p> <p>UNCLASSIFIED</p>  <p>LOS ALAMOS NATIONAL LABORATORY LOS ALAMOS, NM, 87545</p>	DIMENSIONS ARE IN INCHES TOLERANCES UNLESS SPECIFIED: ANGULAR: $\pm 0^\circ 30'$ TWO PLACE DECIMAL ± 0.01 THREE PLACE DECIMAL ± 0.003 SURFACE FINISH: 128 MICRO-INCH MAX ALL MACHINED SURFACES G.A. BREAK ALL SHARP EDGES		NAME O'SHAUGHNESSY	DATE 6/16/2017	FeedthroughPlate	
	DRAWN	CHECKED	ENG APPR.	COMMENTS:		
	MATERIAL ALUMINUM	NEXT ASSEMBLY 126Y-1766895 B1	SIZE B	DWG. NO. 126Y-1766895 B5		REV. -
	SCALE: 1:2	WEIGHT:	SHEET 1 OF 1			


8 7 6 5 4 3 2 1

ITEM NO.	PART NUMBER	PartNo	Default/QTY.
1	MAPS Single Board	LANL TO PROVIDE	4
2	BIVAR CARD GUIDE	BIVAR #UDD-300-X LANL TO PROVIDE	20
3	Side Board	LANL TO PROVIDE	2
4	Spacer	126Y-1766895 B8	10
5	TriggerMount	126Y-1766895 B7	2
6	T-SLOT NUT M5	VENDOR TO PROVIDE: JW Winco A80002	4
7	M5 x 90mm L SHCS	VENDOR TO PROVIDE	4



P-25 SUBATOMIC PHYSICS UNCLASSIFIED  LOS ALAMOS NATIONAL LABORATORY LOS ALAMOS, NM, 87545		DIMENSIONS ARE IN INCHES TOLERANCES UNLESS SPECIFIED: ANGULAR: $\pm 0^\circ 30'$ TWO PLACE DECIMAL ± 0.01 THREE PLACE DECIMAL ± 0.003 SURFACE FINISH: 128 MICRO-INCH MAX ALL MACHINED SURFACES G.A. BREAK ALL SHARP EDGES		NAME O'SHAUGHNESSY	DATE 6/30/2017
		MATERIAL SEE BOM	COMMENTS: Telescope		SIZE B
NEXT ASSEMBLY TOP LEVEL		SCALE: 1:2		WEIGHT:	REV. - SHEET 1 OF 1

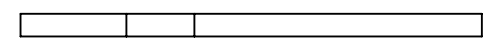
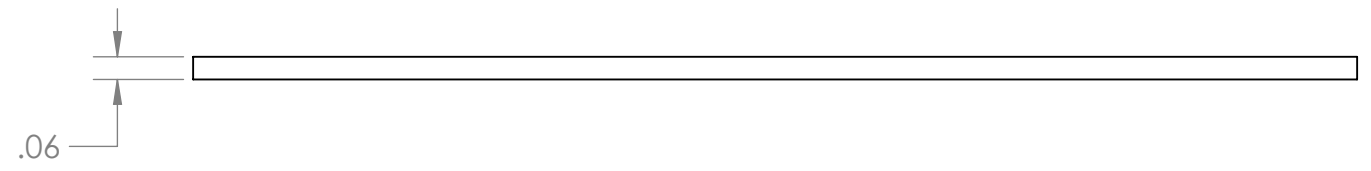
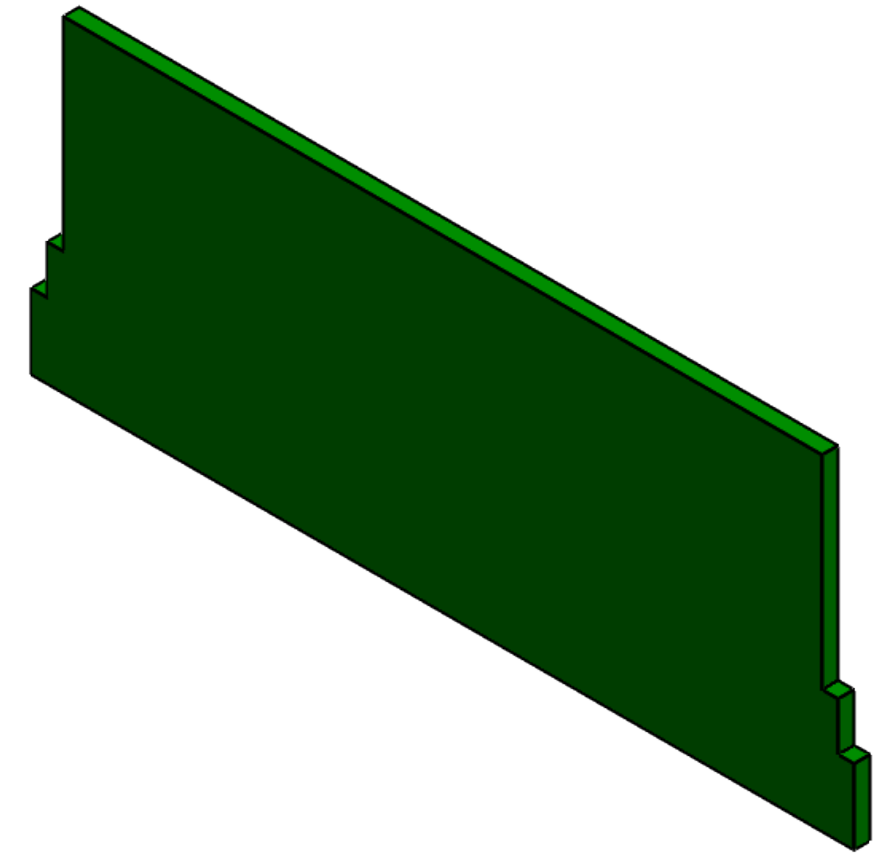
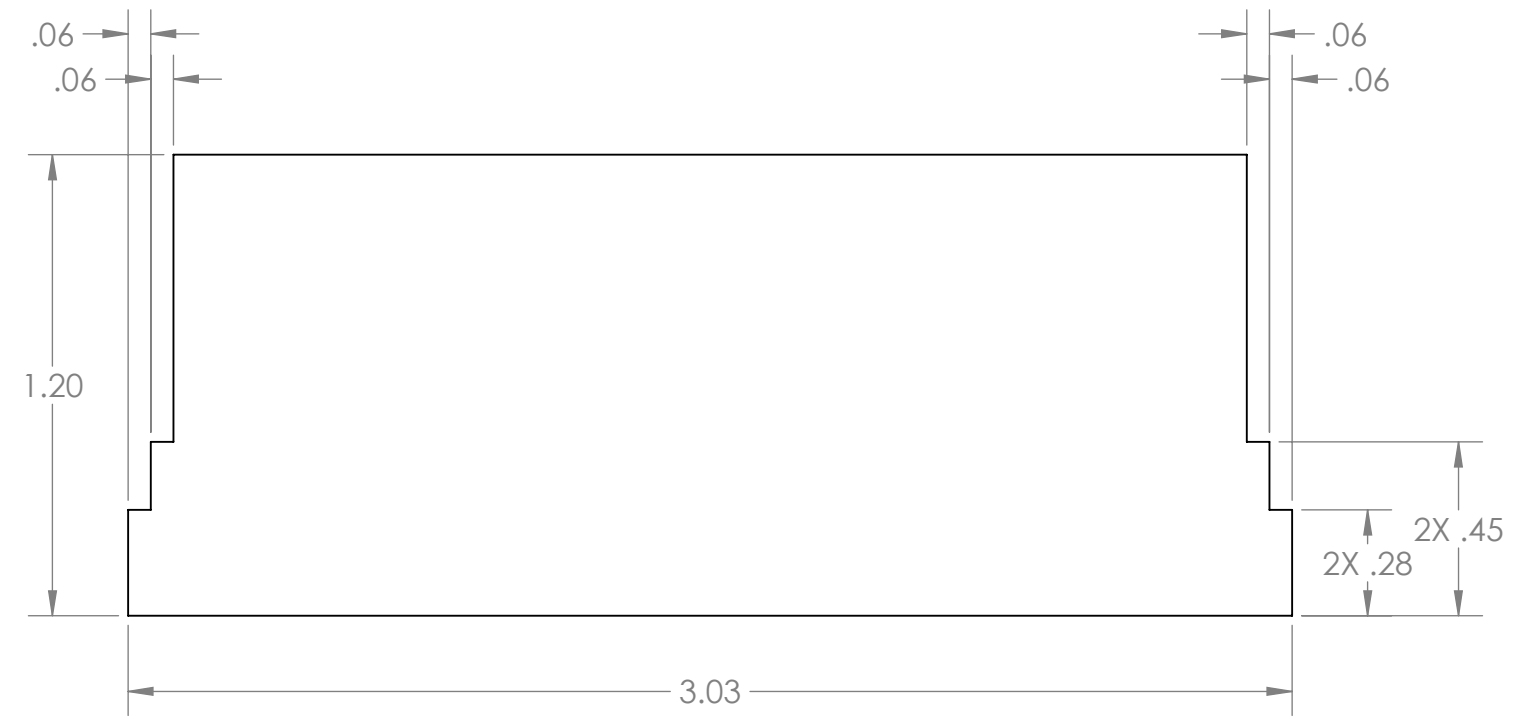



<p>P-25 SUBATOMIC PHYSICS</p> <p>UNCLASSIFIED</p>  <p>LOS ALAMOS NATIONAL LABORATORY LOS ALAMOS, NM, 87545</p>	DIMENSIONS ARE IN INCHES TOLERANCES UNLESS SPECIFIED: ANGULAR: $\pm 0^\circ 30'$ TWO PLACE DECIMAL ± 0.01 THREE PLACE DECIMAL ± 0.003 SURFACE FINISH: 128 MICRO-INCH MAX ALL MACHINED SURFACES G.A. BREAK ALL SHARP EDGES		NAME O'SHAUGHNESSY	DATE 6/16/2017	TriggerMount
	MATERIAL ALUMINUM	DRAWN O'SHAUGHNESSY	CHECKED 	ENG APPR. 	
	NEXT ASSEMBLY 126Y-1766895 B6	COMMENTS:		SIZE B	
	DWG. NO. 126Y-1766895 B7	REV. -	SCALE: 1:1	WEIGHT:	

8 7 6 5 4 3 2 1

D
C
B
A

D
C
B
A



<p>P-25 SUBATOMIC PHYSICS</p> <p>UNCLASSIFIED</p>  <p>LOS ALAMOS NATIONAL LABORATORY LOS ALAMOS, NM, 87545</p>	DIMENSIONS ARE IN INCHES TOLERANCES UNLESS SPECIFIED: ANGULAR: ±0° 30' TWO PLACE DECIMAL ± 0.01 THREE PLACE DECIMAL ± 0.003 SURFACE FINISH: 128 MICRO-INCH MAX ALL MACHINED SURFACES G.A. BREAK ALL SHARP EDGES		NAME O'SHAUGHNESSY	DATE 6/30/2017	Spacer
	MATERIAL FRP	DRAWN O'SHAUGHNESSY	CHECKED 	ENG APPR. 	
	NEXT ASSEMBLY 126Y-1766895 B6	COMMENTS:		REV. -	
	SIZE B	DWG. NO. 126Y-1766895 B8	SCALE:2:1	WEIGHT:	

8 7 6 5 4 3 2 1