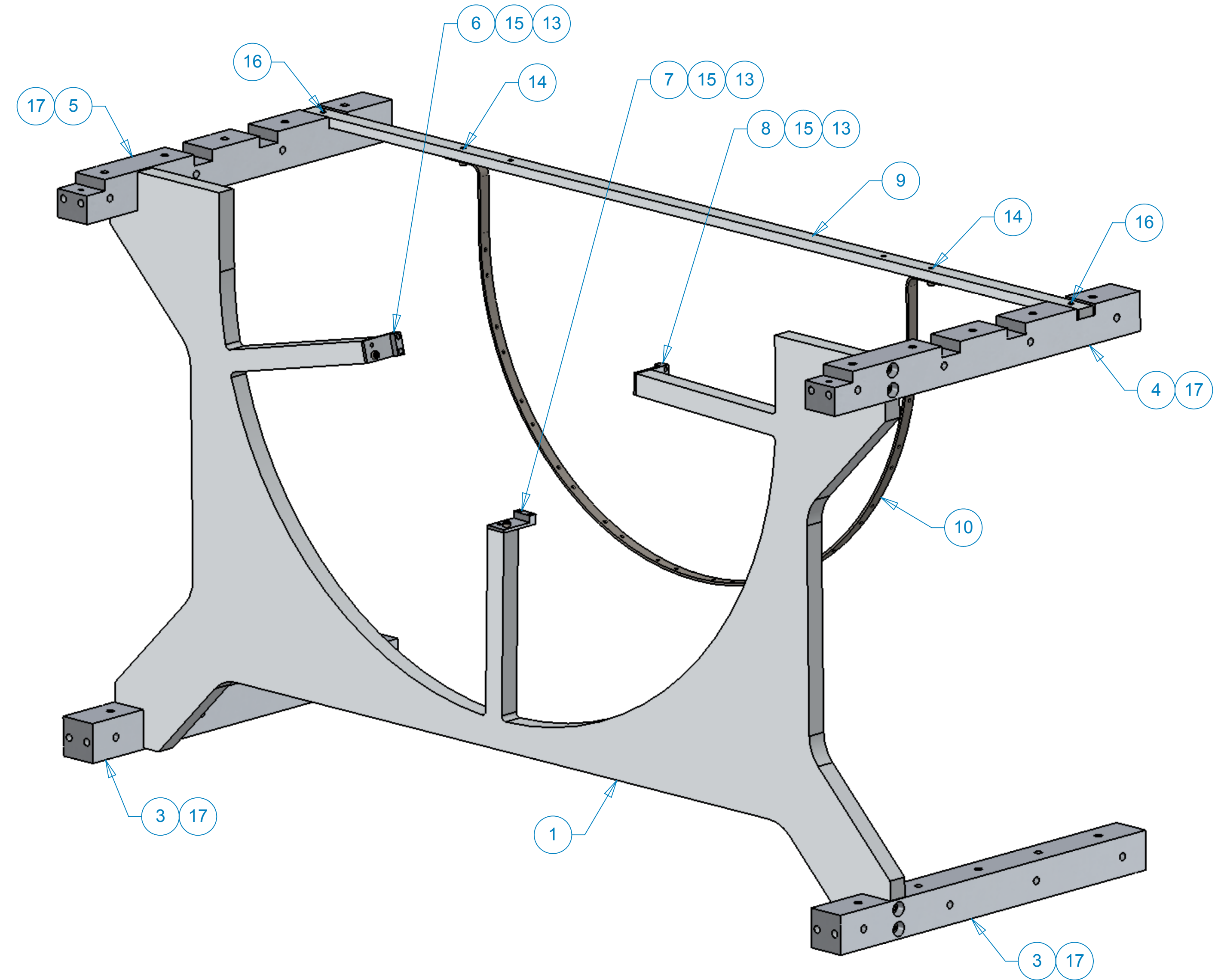


8 7 6 5 4 3 2 1

REVISIONS			
REV	DESCRIPTION	DATE	APPROVED

D  
C  
B  
A

D  
C  
B  
A



-1 DISK 1

- NOTES: UNLESS OTHER WISE SPECIFIED
- ALL DIMENSIONS IN MILLIMETERS
  - DIMENSIONS AND TOLERANCING PER ASME Y14.5M-1994
  - PART NUMBER (DRAWING NO., DASH NO., REVISION NO., SERIAL NO.) TO BE CLEARLY MARKED ON THE PACKAGING BAG OR PART ITSELF.

PARTS LIST							
ITEM NO.	Disk 1 QTY.	Disk 2 QTY.	Disk 3 QTY.	Disk 4 QTY.	PART NO.	DESCRIPTION	MATERIAL
1	1	-	-	-	111-PHX-02-5222-1	Disk 1 Assembly Stand Central Plate	
2	-	1	1	1	111-PHX-02-5223-1	Disk 2, 3 & 4 Assembly Stand Central Plate	
3	2	2	2	2	111-PHX-02-5224-1	Disk Assembly Stand Leg 1	
4	1	1	1	1	111-PHX-02-5225-1	Disk Assembly Stand Leg 2	
5	1	1	1	1	111-PHX-02-5225-2	Disk Assembly Stand Leg 3	
6	1	1	1	1	111-PHX-02-5226-1	Disk Assembly Stand Retainer 1	
7	1	1	1	1	111-PHX-02-5226-3	Disk Assembly Stand Retainer 2	
8	1	1	1	1	111-PHX-02-5226-5	Disk Assembly Stand Retainer 3	
9	1	1	1	-	111-PHX-02-5227-1	Extension Cable Support Hoop Bar	
10	1	-	-	-	111-PHX-02-5228-1	Station 1 Extension Cable Support Hoop	
11	-	1	-	-	111-PHX-02-5229-1	Station 2 Extension Cable Support Hoop	
12	-	-	1	-	111-PHX-02-5230-1	Station 3 Extension Cable Support Hoop	
13	3	3	3	3		Parallel Pin, 2.500mm X 8 lg	SST
14	2	2	2	-		Soc Hd Cap Screw, #4-40 UNC-2A X 5/16"lg	SST
15	3	3	3	3		Soc Hd Cap Screw, #4-40 UNC-2A X 7/16"lg	SST
16	2	2	2	-		Soc Hd Cap Screw, #4-40 UNC-2A X 1.0"lg	SST
17	8	8	8	8		Soc Hd Cap Screw, #10-24 UNC-2A X 1.0"lg	SST



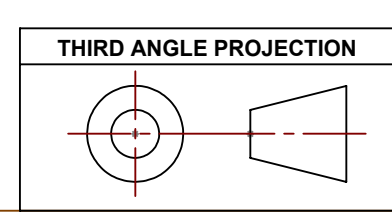
UNLESS OTHERWISE SPECIFIED:  
DIMENSIONS ARE IN MILLIMETERS  
-TOLERANCES-

DECIMALS	ANGULAR
X = +/- .5	.X = +/- .30°
.X = +/- .1	.XX = +/- .15°
.XX = +/- .01	
.XXX = +/- .001	SURFACE FINISH = 250

CAD GENERATED DRAWING.  
DO NOT MANUALLY UPDATE  
DO NOT SCALE DRAWING

**HYTEC, INC**

TITLE  
**PHENIX CENTRAL UPGRADE  
FVTX SYSTEM  
STATION ASSEMBLY STANDS**



PART NO.  
**111-PHX-01-5221-1**

	SIGNATURE	DATE
Designer	Roger L. Smith	4/5/2010
Drawn	Roger L. Smith	4/5/2010
Checked	Walt Sondheim	5/27/2010
Engineer	RJ Ponchione	4/5/2010
Approved	Walt Sondheim	5/27/2010

DWG. NO. **111-PHX-01-5221 D** SIZE **1 of 4**  
SCALE 1:2 REVISION

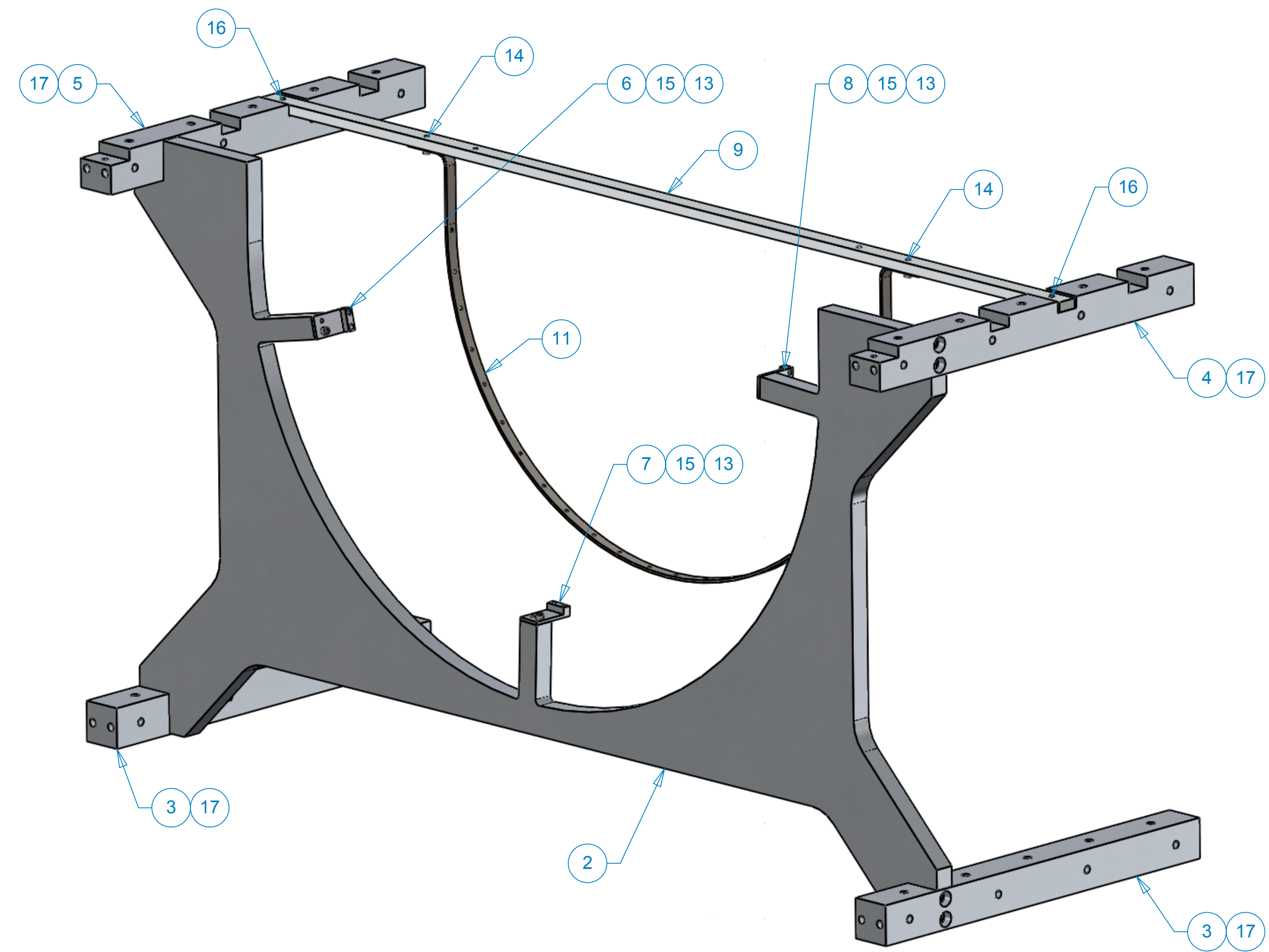
THIS DOCUMENT CONTAINS INFORMATION THAT IS THE PROPRIETARY PROPERTY OF HYTEC, INC.  
REPRODUCTION, DISCLOSURE, OR RELEASE TO OTHERS, MANUALLY OR ELECTRONICALLY,  
IS STRICTLY PROHIBITED WITHOUT THE PRIOR WRITTEN CONSENT OF HYTEC, INC.

8 7 6 5 4 3 2 1

8 7 6 5 4 3 2 1

D  
C  
B  
A

D  
C  
B  
A



-3 **DISK 2**



UNLESS OTHERWISE SPECIFIED:  
DIMENSIONS ARE IN MILLIMETERS  
-TOLERANCES-

DECIMALS	ANGULAR
X = +/- .5	.X = +/- 30°
.X = +/- .1	.XX = +/- 15°
.XX = +/- .01	
.XXX = +/- .001	SURFACE FINISH = 250

FINISH

PART NO.  
**111-PHX-01-5221-1**

CAD GENERATED DRAWING.  
DO NOT MANUALLY UPDATE  
DO NOT SCALE DRAWING

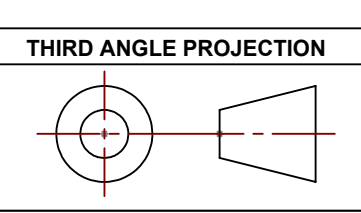
	SIGNATURE	DATE
Designer	Roger L. Smith	4/5/2010
Drawn	Roger L. Smith	4/5/2010
Checked	Walt Sondheim	5/27/2010
Engineer	RJ Ponchione	4/5/2010
Approved	Walt Sondheim	5/27/2010

**HYTEC, INC**

TITLE  
**PHENIX CENTRAL UPGRADE  
FVTX SYSTEM  
STATION ASSEMBLY STANDS**

DWG. NO.	SIZE	SHEET NO.
<b>111-PHX-01-5221</b>	<b>D</b>	<b>2 of 4</b>
SCALE 1:2	REVISION	

THIS DOCUMENT CONTAINS INFORMATION THAT IS THE PROPRIETARY PROPERTY OF HYTEC, INC.  
REPRODUCTION, DISCLOSURE, OR RELEASE TO OTHERS, MANUALLY OR ELECTRONICALLY,  
IS STRICTLY PROHIBITED WITHOUT THE PRIOR WRITTEN CONSENT OF HYTEC, INC.



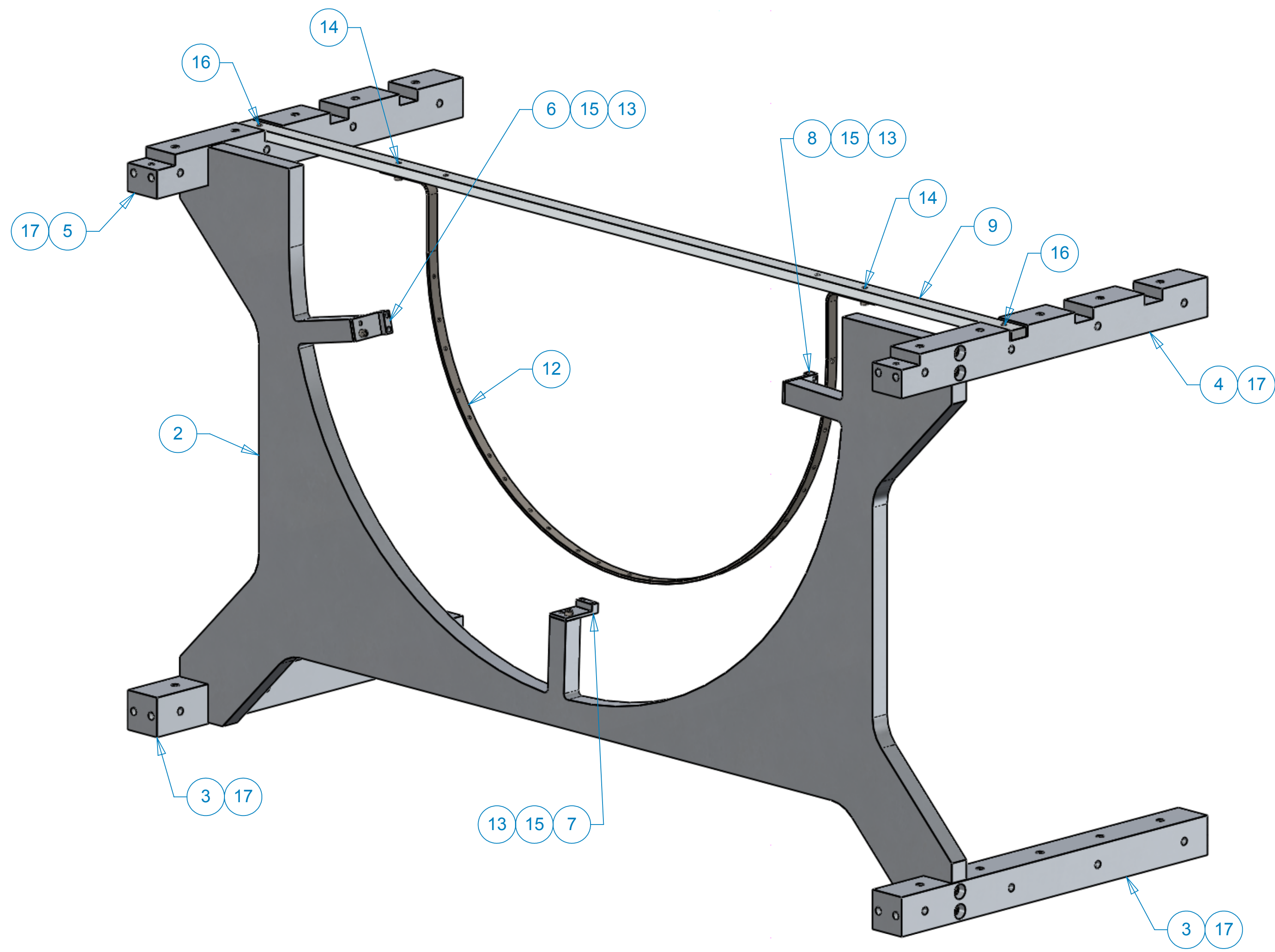
8 7 6 5 4 3 2 1



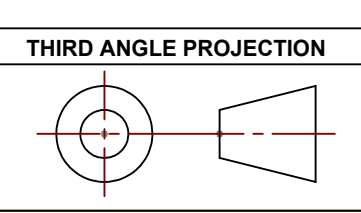
8 7 6 5 4 3 2 1

D  
C  
B  
A

D  
C  
B  
A



-5 DISK 3



UNLESS OTHERWISE SPECIFIED: DIMENSIONS ARE IN MILLIMETERS -TOLERANCES-		CAD GENERATED DRAWING. DO NOT MANUALLY UPDATE DO NOT SCALE DRAWING		<b>HYTEC, INC</b>	
DECIMALS X = +/- .5 .X = +/- .1 .XX = +/- .01 .XXX = +/- .001	ANGULAR .X = +/- 30° .XX = +/- 15° SURFACE FINISH = 250	TITLE <b>PHENIX CENTRAL UPGRADE FVTX SYSTEM STATION ASSEMBLY STANDS</b>		DWG. NO. <b>111-PHX-01-5221</b>	SIZE SHEET NO. <b>D 3 of 4</b>
FINISH		SIGNATURE	DATE	SCALE 1:2	REVISION
		Designer Roger L. Smith	4/5/2010		
		Drawn Roger L. Smith	4/5/2010		
		Checked Walt Sondheim	5/27/2010		
		Engineer RJ Ponchione	4/5/2010		
		Approved Walt Sondheim	5/27/2010		
PART NO. <b>111-PHX-01-5221-1</b>					

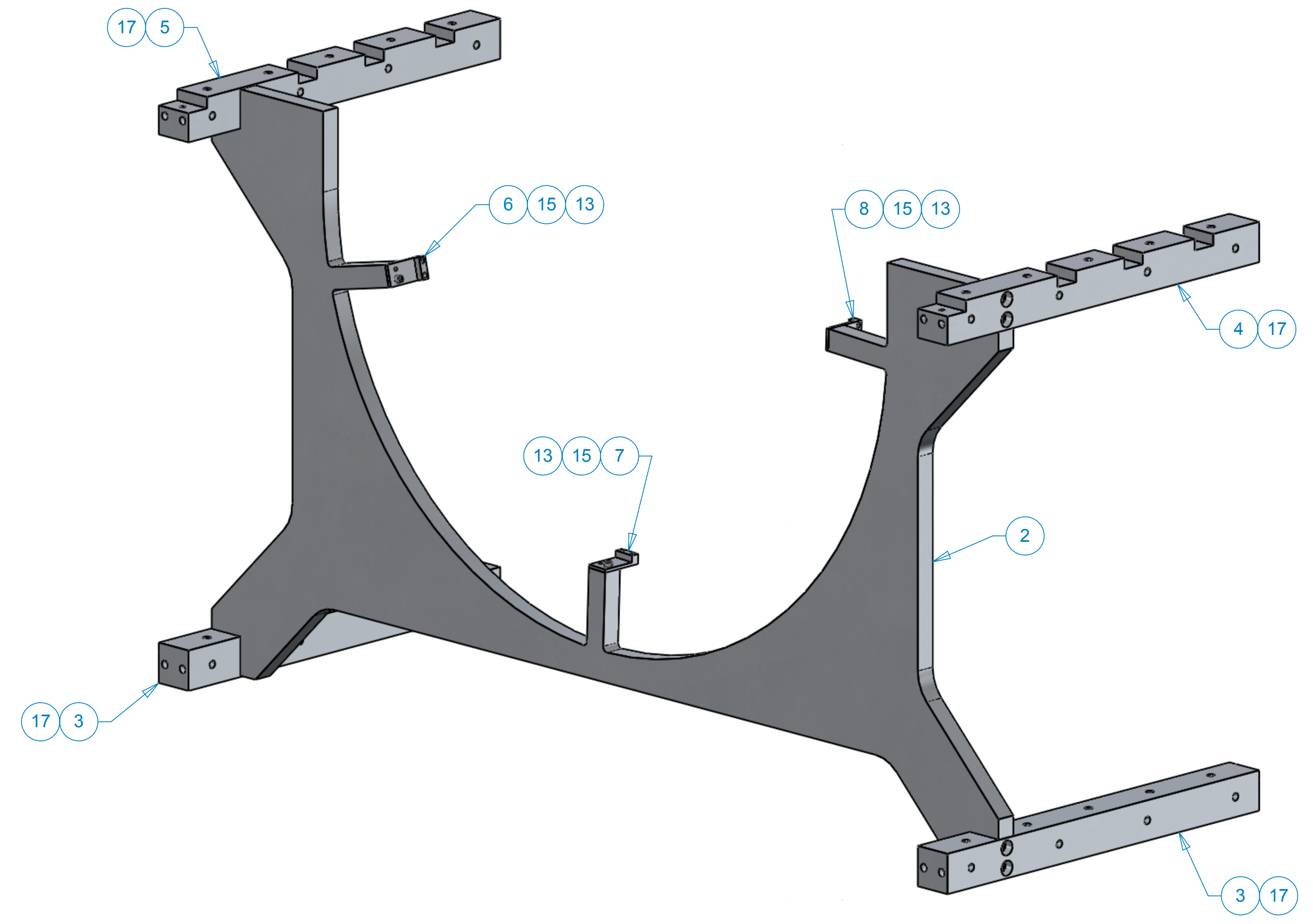
THIS DOCUMENT CONTAINS INFORMATION THAT IS THE PROPRIETARY PROPERTY OF HYTEC, INC. REPRODUCTION, DISCLOSURE, OR RELEASE TO OTHERS, MANUALLY OR ELECTRONICALLY, IS STRICTLY PROHIBITED WITHOUT THE PRIOR WRITTEN CONSENT OF HYTEC, INC.

8 7 6 5 4 3 2 1

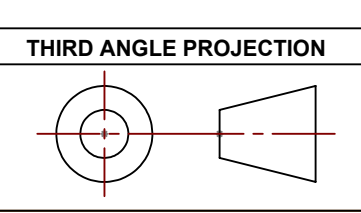
8 7 6 5 4 3 2 1

D  
C  
B  
A

D  
C  
B  
A



-7 **DISK 4**



UNLESS OTHERWISE SPECIFIED: DIMENSIONS ARE IN MILLIMETERS -TOLERANCES-		CAD GENERATED DRAWING. DO NOT MANUALLY UPDATE DO NOT SCALE DRAWING		<b>HYTEC, INC</b>	
DECIMALS X = +/- .5 .X = +/- .1 .XX = +/- .01 .XXX = +/- .001	ANGULAR .X = +/- 30° .XX = +/- 15° SURFACE FINISH = 250			TITLE <b>PHENIX CENTRAL UPGRADE FVTX SYSTEM STATION ASSEMBLY STANDS</b>	
FINISH		SIGNATURE	DATE	DWG. NO.	SIZE SHEET NO.
		Designer Roger L. Smith	4/5/2010	<b>111-PHX-01-5221</b>	<b>D 4 of 4</b>
		Drawn Roger L. Smith	4/5/2010		
		Checked Walt Sondheim	5/27/2010		
		Engineer RJ Ponchione	4/5/2010		
PART NO. <b>111-PHX-01-5221-1</b>		Approved Walt Sondheim	5/27/2010	SCALE 1:2	REVISION

THIS DOCUMENT CONTAINS INFORMATION THAT IS THE PROPRIETARY PROPERTY OF HYTEC, INC. REPRODUCTION, DISCLOSURE, OR RELEASE TO OTHERS, MANUALLY OR ELECTRONICALLY, IS STRICTLY PROHIBITED WITHOUT THE PRIOR WRITTEN CONSENT OF HYTEC, INC.

8 7 6 5 4 3 2 1