



User Manual

VIPC616

**6U VMEbus
IndustryPack® Carrier**

VIPC616

6U VMEbus IndustryPack® Carrier

This document contains information of proprietary interest to SBS GreenSpring Modular I/O. It has been supplied in confidence and the recipient, by accepting this material, agrees that the subject matter will not be copied or reproduced, in whole or in part, nor its contents revealed in any manner or to any person except to meet the purpose for which it was delivered.

SBS GreenSpring has made every effort to ensure that this manual is accurate and complete. Still, the company reserves the right to make improvements or changes in the product described in this document at any time and without notice. Furthermore, SBS GreenSpring assumes no liability arising out of the application or use of the device described herein.

The electronic equipment described herein generates, uses, and can radiate radio frequency energy. Operation of this equipment in a residential area is likely to cause radio interference, in which case the user, at his own expense, will be required to take whatever measures may be required to correct the interference.

GreenSpring's products are not authorized for use as critical components in life support devices or systems without the express written approval of the president of SBS GreenSpring.

This product has been designed to operate with IndustryPack carriers and compatible user-provided equipment. Connection of incompatible hardware is likely to cause serious damage.

**SBS GreenSpring Modular I/O
181 Constitution Drive
Menlo Park, CA 94025
(415) 327-1200
(415) 327-3808 FAX
www.greenspring.com**

©1996 by SBS GreenSpring Modular I/O.
IndustryPack is a registered trademark of SBS GreenSpring Modular I/O.
Macintosh is a registered trademark of Apple Computers.
Other trademarks and registered trademarks or owned by their respective manufactures.
Manual Revision v. Revised April 28, 1997. PCW

Table of Contents

Product Description	5
Installation of IndustryPacks.....	8
I/O Addressing.....	10
Memory Addressing.....	12
Interrupts.....	17
Front Panel Indicators.....	19
P2 I/O, Grounds & Strobes	20
IP Logic Interface	22
Shunt Functions, by Location	23
VIPC616 for VIPC610 Users	28
Construction and Reliability	29
Warranty and Repair.....	30
Specifications.....	31
Order Information	31
Schematics	32

List of Figures

Figure 1	VIPC616 Assembly Drawing	7
Figure 2	IndustryPack Installation	9
Figure 3	IP I/O Address Offset Assignments.....	10
Figure 4	I/O Base Address Shunt Settings	10
Figure 5	Required ID PROM Information	11
Figure 6	Memory Enable Shunts Settings.....	12
Figure 7	IP Memory Size Shunt Settings	13
Figure 8	Carrier Memory Size Shunt Settings	14
Figure 9	Memory Base Address Shunt Settings.....	15
Figure 10	A24 Memory Configuration Example.....	16
Figure 11	Interrupt Encoding Configuration Block.....	17
Figure 12	Interrupt Decoding Configuration Block	18
Figure 13	Diagnostics with Power Check LEDs.....	19
Figure 14	Fuse Locations and Ratings.....	19
Figure 15	IP Slot D to VMEbus P2 Connections	20
Figure 16	E14 & E15 (IP Slot C) to VMEbus P2 Connections	21
Figure 17	Strobe Signals.....	21
Figure 18	IP Logic Interface Pin Assignment.....	22
Figure 19	Memory Enable Shunt Settings	23
Figure 20	IP Memory Size Shunt Settings	23
Figure 21	I/O Base Address Shunt Settings	24
Figure 22	Carrier Memory Size Shunt Settings	25
Figure 23	Strobe Signals.....	26
Figure 24	Interrupt Encoding Configuration Block.....	26
Figure 25	Interrupt Decoding Configuration Block	26
Figure 26	E14 & E15 (IP Slot C) to VMEbus P2 Connections	27
Figure 27	Memory Base Address Shunt Settings.....	27
Figure 28	VIPC616 Configured for VIPC610 Defaults.....	28

Product Description

The VIPC616 VMEbus IP carrier is part of the IndustryPack® family of modular I/O components. As a carrier board, the VIPC616 provides mechanical support and the electrical interfaces to four single high IndustryPacks, or two double high IPs.

Input/output, memory, and interrupt functions are supported.

VIPC616 meets VMEbus Specification C.1 (also known as IEEE P1014/D1.2 and IEC 821 bus) for 6U, or "double high," form factor. Other VMEbus IP carrier boards are available with different capabilities, including 3U (single high) form factors, on board DMA, or other processors. Carrier boards are also available for other industry standard buses, including; PCI, ISA (IBM XT/AT) bus and Nubus (Apple Macintosh).

The VIPC616 conforms to the IndustryPack Logic Interface Specification. This guarantees compatibility with the wide range of IndustryPacks currently available and planned.

Each of the IndustryPacks interfaces with a 50-pin flat cable header accessible on the front panel of the VIPC616. The four IP positions are generally called slots and are identified by the letters A, B, C, and D. The interfaces to all IndustryPacks mate to locking right angle receptacles. This arrangement provides inherent strain relief. The interface connectors are mounted directly on the VME board (not on the IPs), providing a stable and reliable cabling system. Interface cables may be inserted or removed with the VIPC616 in the VME chassis. IPs may be snapped in or out without interfering with the I/O cabling.

In addition to the front panel cabling, the C and D packs are also routed to the VMEbus P2 backplane connector. This permits more flexible cabling options in many chassis.

IndustryPack I/O is mapped into the VMEbus A16/D16 space. Both user and supervisor accesses are supported, as are read-modify-write ("test and set") operations. The size of I/O on each IP is fixed by the IP Specification at 64 16-bit words. In addition each IP has an identification PROM which occupies 64 words. Thus the four IPs occupy 1024 bytes out of the VMEbus' 64 k byte "short I/O" space.

Interrupts are fully supported with a simple but powerful architecture. Each of the four IPs is able to generate up to two interrupt requests. These eight request lines are paired with the seven available VMEbus interrupt request levels by a simple jumper block. Alternatively to this, a user provided PLD may be installed to perform arbitrarily complex interrupt mappings.

Six layer PCB construction minimizes conducted and radiated EMI. Extensive use of CMOS logic reduces both heat and electrical noise, while increasing reliability. All shunt, socket and connector pins are gold plated, assuring long reliable life.

IP access acknowledge and power check LEDs are provided on the front panel for quick visual verification. IP Logic Interface cycles trigger LED flashes that indicate IP slot selection and normal cycle completion. Four access acknowledge LEDs are provided, one for each IP slot. Two power check circuits detect blown fuses and line faults on any IP slot. When the power check LEDs are lit, VIPC616 is OK, all IP slots are energized and ready for use.

The VIPC616 provides fuse protection, RF filtering and de-coupling capacitance on all IP power lines. Power filtering improves performance of precision analog IPs. VMEbus power-up, power-down, and bus reset functions are fully supported.

The VIPC616 does not drive VMEbus BERR. Software errors which access non-existent locations trigger bus time-out circuits on the offending CPU board.

The VIPC616 is the direct evolutionary successor to GreenSpring Computer's popular VIPC610 carrier. The VIPC616 was designed to be 100% backward compatible with the VIPC610. The VIPC610 is no longer recommended for new designs and will be phased out of production. The VIPC616 maintains all the functionality of the VIPC610 and adds improved features. Four commonly requested improvements were implemented on the VIPC616; VMEbus extended memory access (A32:D16), Independent I/O and Memory base address selection, latching connectors and power check LEDs.

On the single height 6U front panel right angle latching connectors have been adopted for the I/O interface, improving cabling access, reliability and looks. The new I/O connectors mate with standard 50 pin, 0.050" pitch, mass terminated, ribbon cable receptacles. All four IP I/O connectors are supplied with latches and all four I/O cables can now be changed without removing the carrier from the backplane.

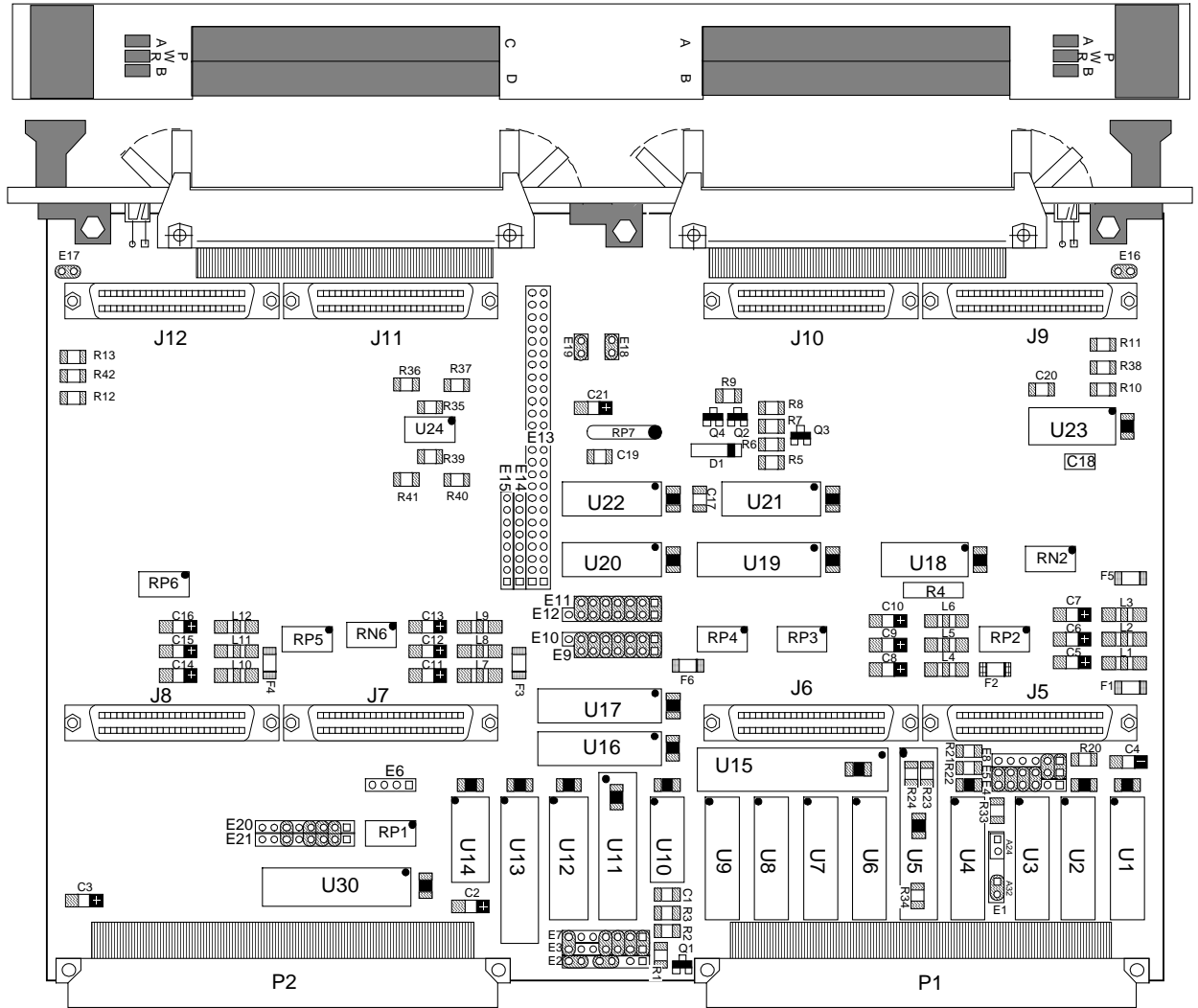


Figure 1 VIP616 Assembly Drawing

Installation of IndustryPacks

IndustryPacks are installed on the VIPC616 carrier board by simply snapping them in. Press the IP and the carrier board together with your fingers until the two pairs of mating connectors are flush. The connectors are keyed, so the IP can only be installed correctly.

There are four locations for IPs. These are identified as A, B, C and D. The white lettering on the VIPC616 shows the location of each slot.

All IPs mate with 50-pin flat cable receptacle connectors for their I/O. On the VIPC616 all connectors have latches and are accessible from the front panel. The front panel labeling indicates which connector is associated with which IP. Pin 1 for each cable is identified by the mark on the connector or a square solder pad. Be cautious with connectors for IPs B and D, the keying can be reversed.

Many connector manufacturers are able to provide suitable mass terminated receptacles. The following are recommended:

AMP	1-746193-2	(connector)
AMP	499252-4	(strain relief)
AMP	1-499506-2	(obsolete kit p/n)
Robinson Nugent	IDS-C50NPK-SR-TG	

After an IP has been installed, four stainless steel screws may be used to secure the IP to the carrier board. This is normally necessary only in high vibration or shock environments. Insert the screw through the IP and the two connectors. Attach the nut on the solder side of the VIPC616. Tighten using small tools, taking care not to damage either the IP or the support board. The screws used are standard (metric) M2 x 18 stainless slotted flat head. These screws and nuts come with each IP.

Cables, Screw kits and Engineering Kits are available from SBS GreenSpring.

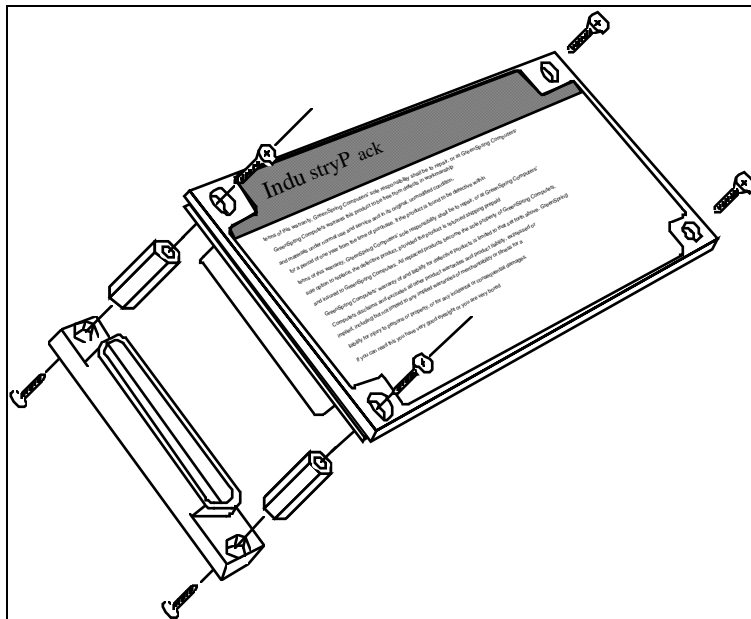


Figure 2 IndustryPack Installation

IndustryPack installation instructions

Install the four hex standoffs onto the IndustryPack Connectors. Fasten the standoffs to the IndustryPacks with four M2 x 5mm flat head machine screws. Install the IndustryPack onto the carrier board. Fasten the IndustryPack to the carrier with four M2 x 5mm pan head machine screws.

Please use a thread locking compound on all screws.

IndustryPack installation for non-compliant carriers

Some carrier boards use non-compliant 50 pin connectors. These connectors mate with IndustryPacks but cannot use the standard mounting hardware. A hardware kit for non-compliant carriers is available. The order number is EK-NCC. This must be ordered separately. Contact your local GreenSpring Representative or the factory for price and delivery.

Install the IndustryPack onto the carrier board. Fasten the IndustryPack to the carrier with four M2 x 16mm flat head machine screws and four M2 hex nuts. Use caution when tightening the screws. Too much force may damage the IndustryPack.

I/O Addressing

IP Spaces

I/O and ID addressing on the VIPC616 is determined by two elements. The first is the base address of the carrier. Second is the offset of the IP and the desired subspace. The 1024 bytes the VIPC616 occupies in the A16 VMEbus short I/O space is divided into eight subspaces. Each IndustryPack has an I/O space of 128 bytes, or 0x80 bytes in hexadecimal. Additionally, each IndustryPack has an ID PROM space occupying the adjacent 128 bytes. The figure below shows the subspace allocations.

Address	Offset	Assignment	Default
I/O Base +	0x0000	IP A I/O Space	0x6000
I/O Base +	0x0080	IP A ID Space	0x6080
I/O Base +	0x0100	IP B I/O Space	0x6100
I/O Base +	0x0180	IP B ID Space	0x6180
I/O Base +	0x0200	IP C I/O Space	0x6200
I/O Base +	0x0280	IP C ID Space	0x6280
I/O Base +	0x0300	IP D I/O Space	0x6300
I/O Base +	0x0380	IP D ID Space	0x6380

Figure 3 IP I/O Address Offset Assignments

I/O Spaces and Configuration

The carrier base address is set with shunt groups E3 and E7. The relationship of shunts to VMEbus A16 address lines is shown in the figure below. Select signals are generated by comparing VMEbus address lines with the shunt group values. A shunt installed between E3 and E7 selects a given address line as zero. A shunt removed selects the address line as a one. Thus, a carrier base address of 0x0000 is selected when all seven shunts are installed, and carrier base address of 0xFC00 is selected when all seven shunts are removed. The VIPC616 may be located on any 1024 byte, or 0x400 hex, boundary however; GreenSpring recommends the common practice of locating VME carriers on 4096 byte, or 0x1000, boundaries.

Shunt Loc.	Add. Line	Default	Value
E3.1 to E7.1	A09	IN	0
E3.2 to E7.2	A10	IN	0
E3.3 to E7.3	A11	IN	0
E3.4 to E7.4	A12	IN	0
E3.5 to E7.5	A13	OUT	1
E3.6 to E7.6	A14	OUT	1
E3.7 to E7.7	A15	IN	0

Figure 4 I/O Base Address Shunt Settings
Default I/O Base Address = 0x6000

VIPC616s are shipped with the default I/O base address set to 0x6000. Please examine the VIPC616 assembly diagram which shows shunt group locations and default settings. **All shunt groups and through hole components have square solder pads on pin number one to improve**

visual orientation. For new system development and debug, we recommend starting with the 0x6000 default address to test carriers and IPs before re-configuration to other locations.

ID Spaces

All IPs must have an ID PROM. This ID PROM is at least 32 bytes. It may be larger. It provides certain fixed information about the IP, which is defined in the IndustryPack Specification. This information includes the IP's manufacturer, model code, and manufacturing revision level. It may also include driver identification codes and calibration information.

ID PROMs are typically used by software for auto configuration, auto calibration, and revision maintenance. Additional configuration management functions are possible. The ID PROM is not required to be accessed, nor its information used by the host software. However, since the IP PROM may contain critical calibration or configuration information, software usage is highly encouraged. The figure below shows the required information in each ID PROM. See the IndustryPack Specification and the User Manual for each IP for more information.

Address	Description	Contents
0x3F		
0x2*nn+1	User Space	
0x2*nn-1		
0x19	IP Module Specific Space	
0x17	CRC	
0x15	Number of bytes used	= nn
0x13	Driver ID, high byte	
0x11	Driver ID, low byte	
0x0F	Reserved	0x00
0x0D	Revision	
0x0B	Model Number	
0x09	Manufacturer ID	
0x07	ASCII "C" for 8 MHz	0x43
	or ASCII "H" for 32 MHz	or 0x48
0x05	ASCII "A"	0x41
0x03	ASCII "P"	0x50
0x01	ASCII "I"	0x49

Figure 5 Required ID PROM Information

Other Addressing Issues

Many IPs use only the low order, or odd, byte. For these IndustryPacks the bytes are accessed at location offsets of 0x01, 0x03, etc. This odd byte I/O convention is a Motorola 68000 family convention and VMEbus standard. Furthermore, Motorola processors and VMEbus use so called "Big Endian" byte ordering, that is; in a 16 bit word, the bits are ranked in descending order from left to right (i.e. A₁₅..A₈ A₇..A₀). On "Little Endian" processors, like Intel products, the byte order is reversed; the low order byte is on the left (i.e. A₇..A₀ A₁₅..A₈), or on even addresses. In systems using Little Endian CPUs this difference can cause considerable confusion and should be noted.

IPs are not required to decode all of their allotted I/O space. In this case accessing undecoded space, or empty IP slots, will cause a VMEbus BERR generated by the offending CPU's bus time out circuitry. If a CPU's time out is disabled, BERR will not occur, and the bus will "hang."

Memory Addressing

IndustryPacks may contain memory as well as I/O. VIPC616 supports both VMEbus standard memory space (A24:D16) and extended memory space (A32:D16). In the A24 space VIPC616 can be configured from 128k to eight megabytes per IP. In the A32 space VIPC616 provides a fixed eight megabytes per IP slot.

Memory addressing on the VIPC616 consists of three parts: First enable, or disable, memory space. Second, set the carrier and IP memory sizes. And last, set the base address. For A32 applications the size step is not required. Please examine the VIPC616 assembly diagram which shows shunt group locations and default settings.

Step 1: Enabling or Disabling Memory

The memory access is enabled with the E1 shunt group. The two locations are labeled A24 and A32 on the silk screen for quick reference. Installing a shunt in the E1.A24 location enables A24 standard memory space access. Installing a shunt in the E1.A32 location enables A32 extended memory space access, this is the factory default setting. VIPC616 only supports one type of memory space per carrier. Install only one shunt the E1 group. To disable memory access remove the shunt from the E1 group.

Memory Access	Location	Shunt
None (disabled)	E1.A32	OUT
	E1.A24	OUT
Standard A24:16	E1.A32	OUT
	E1.A24	IN
Extended A32:D16 DEFAULT	E1.A32	IN
	E1.A24	OUT
Not Allowed	E1.A32	IN
	E1.A24	IN

Figure 6 Memory Enable Shunts Settings

Step 2: Setting Carrier and IP Memory Sizes

Size settings are required for A24 addressing only. A32 users may disregard this section and skip to Step 3. For A24 applications shunt group E2 selects individual IP memory size. This can range from 128k to two megabytes per IP. The size of the largest IP on the carrier must be chosen. E2 shunt settings are not assigned in any particular order therefore the chart below must be used.

IP Memory Size	Location	Shunt
128 kilobytes DEFAULT	E2.1 to E2.2	OUT
	E2.3 to E2.4	IN
	E2.5 to E2.6	IN
256 kilobytes	E2.1 to E2.2	IN
	E2.3 to E2.4	OUT
	E2.5 to E2.6	IN
512 kilobytes	E2.1 to E2.2	OUT
	E2.3 to E2.4	OUT
	E2.5 to E2.6	IN
1 megabyte	E2.1 to E2.2	IN
	E2.3 to E2.4	IN
	E2.5 to E2.6	OUT
2 megabytes	E2.1 to E2.2	OUT
	E2.3 to E2.4	IN
	E2.5 to E2.6	OUT

Figure 7 IP Memory Size Shunt Settings

Shunts E4, E5 & E8 select the carrier memory size. On VIPC616, this is always four times the IP memory size. IP memory size should be determined first. Briefly, these three shunt groups route comparator inputs to VME address lines or short input pairs to identical states. To determine shunt settings; use the chart below.

Total VIPC616 Memory Size	IP Size	IP Slot	IP Location Base +	Install	Shunts	from
512 kilobytes DEFAULT	128 k	A	0x000000	E8.1 to	E5.1	to E4.3 to E4.4 to E4.5 to E4.6
	128 k	B	0x020000	E8.2 to	E5.2	
	128 k	C	0x040000		E5.3	
	128 k	D	0x060000		E5.4 E5.5 E5.6	
1 megabyte	256 k	A	0x000000	E8.1 to	E5.1	to E4.4 to E4.5 to E4.6
	256 k	B	0x040000	E8.2 to	E5.2	
	256 k	C	0x080000	E8.3 to	E5.3	
	256 k	D	0x0C0000		E5.4 E5.5 E5.6	
2 megabytes	512 k	A	0x000000	E8.1 to	E5.1	to E4.5 to E4.6
	512 k	B	0x080000	E8.2 to	E5.2	
	512 k	C	0x100000	E8.3 to	E5.3	
	512 k	D	0x180000	E8.4 to	E5.4 E5.5 E5.6	
4 megabytes	1 Meg	A	0x000000	E8.1 to	E5.1	to E4.6
	1 Meg	B	0x100000	E8.2 to	E5.2	
	1 Meg	C	0x200000	E8.3 to	E5.3	
	1 Meg	D	0x300000	E8.4 to E8.5 to	E5.4 E5.5 E5.6	
8 megabytes	2 Meg	A	0x000000	E8.1 to	E5.1	
	2 Meg	B	0x200000	E8.2 to	E5.2	
	2 Meg	C	0x400000	E8.3 to	E5.3	
	2 Meg	D	0x600000	E8.4 to E8.5 to E8.6 to	E5.4 E5.5 E5.6	

Figure 8 Carrier Memory Size Shunt Settings

Step 3: Setting Memory Base Address

The base address for the A32 or A24 spaces are both set with the same shunt groups: E20 and E21. High speed address decoders use the value of these settings to select the carrier and IP slot. A shunt installed between the E20 and E21 groups selects a given address line as zero. A shunt removed selects the address line as a one. Thus for A24 memory, a base address of 0x000000 is created when all seven shunts are installed. A base address of 0xFE0000 is created when all seven shunts are removed. Similarly for A32 memory, a base address of 0x00000000 is created when all seven shunts are installed. A base address of 0xFE000000 is created when all seven shunts are removed. The factory default memory base address is 0xD00000 in the A24 space, and 0xD0000000 in the A32 space. The correspondence between shunt locations and VME address lines is shown in the figure below.

Shunt Location	A24 Space Address Line	A32 Space Address Line	Default Setting	Binary Value
E20.1 to E21.1	NC	NC		
E20.2 to E21.2	A17	A25	IN	0
E20.3 to E21.3	A18	A26	IN	0
E20.4 to E21.4	A19	A27	IN	0
E20.5 to E21.5	A20	A28	OUT	1
E20.6 to E20.6	A21	A29	IN	0
E20.7 to E21.7	A22	A30	OUT	1
E20.8 to E21.8	A23	A31	OUT	1

Figure 9 Memory Base Address Shunt Settings
Base Address Defaults: A24 = 0xD00000, A32 = 0xD0000000

During VIPC616 memory cycles the higher order VMEbus address lines are routed directly to the IP address lines. This simplifies matters by eliminating complicated address re-mapping and decoding wait states. Additionally, the memory sizing scheme on the VIPC616 uses the memory base address shunt values. **When using memory, these two factors require the memory base address of the carrier be on a boundary equal to the sum of all memory space available on the carrier.** For A32 applications the VIPC616 must be on a 32 megabyte boundary (i.e. 0x00000000, 0x02000000, 0x04000000...etc.) For A24 applications the aggregate memory capacity of the VIPC616 must be calculated.

For an A24 space example consider the following: A VIPC616 with two memory IPs, the largest of which being one megabyte, would require configuring the carrier for one megabyte per slot. The sum of memory capacity on the carrier would then be four megabytes, or one megabyte per slot. The memory base address (and IP slot A base) must be on a four megabyte boundary in the A24 space (i.e. 0x000000, 0x400000, 0x800000...etc.). The slot B base would be at carrier base + one megabyte (i.e. 0x100000, 0x500000, 0x900000...etc.).

A24 Memory Configuration Example

Consider the following example where two memory IPs are installed in an A24 application: A 256k IP-JEDEC and a 1 megabyte IP-NVRAM are to be installed on a VIPC616, in IP slots A and B respectively. First install a shunt in the E1.A24 location to enable A24 access. The biggest IP is IP-NVRAM at 1 megabyte. Use the IP Memory size able to configure E2 for 1 megabyte per IP. Next the sum of memory capacity of the carrier is four times the biggest IP memory size, or four megabytes in this case. Use shunt groups E4, E5 & E8 settings shown in the Carrier Memory Size table to configure the carrier memory size for four megabytes. Finally determine a memory base address. Because the carrier memory size is four megabytes, the memory base address must be located on a four megabyte boundary (i.e. 0x0000000, 0x0400000, 0x0800000...etc.). Use shunt groups E20 and E21 to configure the memory base address. If we arbitrarily choose a base of 0x0400000: The IP-JEDEC, in slot A, would then occupy the A24 space from 0x0400000 to 0x043FFFF. The IP-NVRAM, in slot B, would occupy the A24 space from 0x0500000 to 0x05FFFFFF. The resulting shunt configurations are shown in the table below.

Memory Access		
E1.A32		OUT
E1.A24		IN
IP Memory Size		
E2.1	to E2.2	OUT
E2.3	to E2.4	IN
E2.5	to E2.6	OUT
Carrier Memory Size		
E8.1 to	E5.1	
E8.2 to	E5.2	
E8.3 to	E5.3	
E8.4 to	E5.4	
E8.5 to	E5.5	
	E5.6	to E4.6
Memory Base Address		
E20.1 to	E21.1	OUT
E20.2 to	E21.2	IN
E20.3 to	E21.3	IN
E20.4 to	E21.4	IN
E20.5 to	E21.5	IN
E20.6 to	E21.6	IN
E20.7 to	E21.7	OUT
E20.8 to	E21.8	IN

Figure 10 A24 Memory Configuration Example

Interrupts

IndustryPacks are able to generate up to two interrupt requests each. Each interrupt request is serviced by an interrupt acknowledge cycle from the host CPU. During this cycle the requesting IP responds with an interrupt vector. The host CPU uses this vector to begin executing an interrupt service routine. This routine must access the requesting IP in such a way as to remove the interrupt request.

There are seven levels of interrupt requests on the VMEbus. IRQ7 is the highest, and is normally reserved for non-maskable requests. IRQ1 is the lowest level.

Configuration blocks are provided on the VIPC616 to route the eight possible interrupt requests from the IndustryPacks to the seven VMEbus levels. Similarly, matching configuration blocks are provided to route the seven interrupt acknowledge cycles to the requesting IP.

The simplest wiring scheme is to use a shunt to connect each pin of E10 straight across to the corresponding pin of E9. This is the factory default configuration. The correspondence of IP interrupt requests to VMEbus IRQ levels is then determined by reading across each line of the table below. Many alternative mappings are possible by using wire-wrap™ wires instead of shunts. **Each encoding map provided by the E10-E9 configuration block must match a corresponding decoding map provided by the E11-E12 configuration block discussed below.**

IP Slot	IP IRQ Level	E10 Pin	E9 Pin	VMEbus IRQ Level
A	0	1	1	IRQ1
A	1	2	2	IRQ2
B	0	3	3	IRQ3
B	1	4	4	IRQ4
C	0	5	5	IRQ5
C	1	6	6	IRQ6
D	0	7	7	IRQ7
D	1	8		NONE

Figure 11 Interrupt Encoding Configuration Block

Note that the configuration block E10-E9 provides only for one-to-one mappings between IP requests and VMEbus IRQ levels. More complex mappings are possible by using a user-provide interrupt encoding PLD or equivalent device in socket U11. Contact the factory Application Engineering department for more information. When using an U11 mapping PLD, be sure that (1) the jumpers in E10-E9 are removed, and (2) that PLD U17 provides a complementary decoding map.

The figure below shows the wiring of the interrupt decoding configuration block. This figure also shows the factory default programming of the interrupt decoding PLD U17. The simplest wiring scheme is to use a shunt to connect each pin of E11 straight across to the corresponding pin of E12. This is the factory default configuration. The correspondence of VMEbus interrupt acknowledge levels to IndustryPack Interrupt Selects is then determined by reading across each line of the table in the figure. Many alternative mappings are possible by using wire-wrap™ wires instead of shunts. **Each decoding map provided by the E11-E12 configuration block must match the corresponding encoding map provided by the E10-E9 configuration block discussed above.**

VMEbus IACK cycle	E11 pin	E12 pin	IP Slot	IntSel* Level
IRQ7	1	1	D	0
IRQ6	2	2	C	1
IRQ5	3	3	C	0
IRQ4	4	4	B	1
IRQ3	5	5	B	0
IRQ2	6	6	A	1
IRQ1	7	7	A	0
		8	D	1

Figure 12 Interrupt Decoding Configuration Block

Interrupt selection within an IndustryPack as accomplished with the A1 address line to each IP. A1 low corresponds to Interrupt Select 0; A1 high corresponds to Interrupt Select 1. During I/O and Memory cycles A1 to the IPs must match A1 from the VMEbus, of course. PLD U17 generates A1 to the four IP to implement these functions.

Front Panel Indicators

ACK Flash LEDs

There are six green LED indicators on the front panel of the VIPC616. There are four "ACK flash" LEDs, one for each IP, and two Power Check indicators. ACK flash LEDs flash after successful IP bus transfers. The ACK flash "one shot" lasts for one third of a second. Accesses more frequent than three times a second will show as a continuously illuminated indicator. The ACK flash LEDs respond to I/O, memory and interrupt accesses.

The trigger for the pulse stretcher that drives the LEDs is the acknowledge signal from the IPs. If the host software attempts to access a location that is empty, the indicator LED on the front panel will not light. The indicators do not show that the VIPC616 is being selected, but rather that the associated IP has completed an access. Similarly, the indicator LEDs do not show interrupts asserted, but do show interrupt acknowledge cycles.

Power Check LEDs

The two power check LEDs are marked as "PWR" on the front panel and located between the ACK flash LEDs. Each power check circuit detects blown fuses or line faults on the two adjacent IP slots. When the LED is lit, the IP slots are OK and ready for use. The upper PWR LED shows status for IP slots A and B, and the lower PWR LED shows status for IP Slots C & D. The following table can be used to isolate power faults with the aid of the power check LEDs:

Upper PWR LED	Lower PWR LED	Condition
on	on	OK, Ready to Use
on	off	C & D 5V, Check F3 & F4
off	on	A & B 5V, Check F1 & F2
off	off	+12V or -12V, Check F5 & F6

Figure 13 Diagnostics with Power Check LEDs

Fuses

The fuses used on VIPC616 are 1 Amp, 1206 surface mount (Little fuse p/n R429.001). All IP Slots are fuse protected. Blown fuses may be detected with a DVM. Use the chart in the figure below to associate a fuse with an IndustryPack position. Fuse replacement should only be attempted with equivalent parts and by persons skilled in surface-mount assembly and Anti-ESD procedures. Factory service and diagnostics are recommended, please see warranty and repairs section for details.

Fuse	Power Bus	Value
F1	+5V IP A	1.0 Amp
F2	+5V IP B	1.0 Amp
F3	+5V IP C	1.0 Amp
F4	+5V IP D	1.0 Amp
F5	-12V IP A,B,C,D	1.0 Amp
F6	+12V IP A,B,C,D	1.0 Amp

Figure 14 Fuse Locations and Ratings

P2 I/O, Grounds & Strobes

I/O on P2 Connector

Normally all four IPs have their I/O cabling via the front panel. Four 50-pin flat ribbon cable connectors are provided for this purpose. However, IndustryPack slots C and D may also have their I/O connected via the VMEbus P2 connector. This I/O may be used whether or not a VMEbus P2 backplane is installed. The VMEbus leaves rows A and C of the P2 connector open for this I/O use. Note however that some systems, such as VSB, use these 64 lines for a secondary bus.

Caution: IndustryPack slot D is hard wired to rows A and C of the VMEbus P2 connector. If the user's system has rows A and C of P2 committed to another use then either slot D must be left empty, or a non-I/O IP must be used in slot D. Most memory IPs from SBS GreenSpring do not use any I/O lines. The IP slot D I/O to VMEbus P2 mapping is shown in the figure below.

Slot D IP I/O	VMEbus P2	Slot D IP I/O	VMEbus P2
1	C1	2	A1
3	C2	4	A2
5	C3	6	A3
7	C4	8	A4
9	C5	10	A5
11	C6	12	A6
13	C7	14	A7
15	C8	16	A8
17	C9	18	A9
19	C10	20	A10
21	C11	22	A11
23	C12	24	A12
25	C13	26	A13
27	C14	28	A14
29	C15	30	A15
31	C16	32	A16
33	C17	34	A17
35	C18	36	A18
37	C19	38	A19
39	C20	40	A20
41	C21	42	A21
43	C22	44	A22
45	C23	46	A23
47	C24	48	A24
49	C25	50	A25

Figure 15 IP Slot D to VMEbus P2 Connections

IndustryPack C may optionally be connect to pins on the P2 connector, although the factory default is no connection. Up to 14 signals from the IP in slot C may be assigned to P2. The configuration block E13-E14-E15 is used to implement this interconnection. In most cases wire-wrap™ will be the most convenient implementation method.

E13 has 50 pins, which are connected to the 50 pins of the Slot C I/O connector and numbered identically (pin 1 to pin 1 through pin 50 to pin 50). The figure below shows the Pin Assignments for E14 and E15.

E14	VMEbus	E15	VMEbus
Pin	P2	Pin	P2
1	C26	1	A26
2	C27	2	A27
3	C28	3	A28
4	C29	4	A29
5	C30	5	A30
6	C31	6	A31
7	C32	7	A32

Figure 16 E14 & E15 (IP Slot C) to VMEbus P2 Connections

Ground Planes under IndustryPack I/O Connectors

There is a floating ground plane under the I/O connectors for IPs A and B, and a second floating ground plane under the I/O connectors for IPs C and D. These planes are for shielding and noise reduction. The floating planes on the carrier can be connected to the main ground plane at several locations. Installing shunts E16 or E18 connects the plane under IP A & B. Installing shunts E17 or E19 connects the plane under IP C & D. The VIPC616 is shipped with these shunts installed. Users can re-configure these shunts as desired. Note all I/O lines are routed directly to the IndustryPacks, ground I/O signals are provided by IndustryPacks, not the carrier.

Strobes

Each IndustryPack has one pin on the logic interface labeled "Strobe." The Interface Specification does not define this pin, but suggests that it be used for alternative clocking signals in or out of an IP. A four position configuration block E6 is provided on the VIPC616 to permit user interconnection of the IP Strobe signals. The figure below shows the assignment of pins on this configuration block.

This information is provided for completeness. The "Strobe*" signal nomenclature has been abandoned in current revisions of the VITA-4 Specification. They may be referred to as "reserved". The "Strobe*" signals are seldom used.

E6 Pin	Strobe*
E6.1	IP Slot A
E6.2	IP Slot B
E6.3	IP Slot C
E6.4	IP Slot D

Figure 17 Strobe Signals

IP Logic Interface

The VITA-4 specification is the definitive reference for the IP bus logic interface. When this manual was written, the current revision was:

ANSI/VITA 4-1996
Specification Revision 1.0
IP Mezzanine Module Standard

This document, or its successor, is available from GreenSpring or VITA. VITA can be contacted at the following address.

VITA Standards Organization
10229 North Scottsdale Road, Suite B
Scottsdale Az. 85252
Voice: 602-951-8866
Fax: 602-951-0720

For quick reference, the table below shows the IP Logic pin assignments. Some of these signals may not be supported on this product.

Pin #	Signal	Pin #	Signal	Pin #	Signal	Pin #	Signal
1	GND	2	CLK	26	GND	27	+ 5V
3	Reset*	4	D0	28	R/W*	29	IDSel*
5	D1	6	D2	30	DMAReq0*	31	MemSel*
7	D3	8	D4	32	DMAReq1*	33	IntSel*
9	D5	10	D6	34	DMAck*	35	IOSel*
11	D7	12	D8	36	Reserved	37	A1
13	D9	14	D10	38	DMAEnd*	39	A2
15	D11	16	D12	40	Error*	41	A3
17	D13	18	D14	42	IntReq0*	43	A4
19	D15	20	BS0*	44	IntReq1*	45	A5
21	BS1*	22	- 12V	46	Strobe*	47	A6
23	+12V	24	+ 5V	48	Ack*	49	Reserved
25	GND			50	GND		

Figure 18 IP Logic Interface Pin Assignment

Shunt Functions, by Location

The following figures list shunt functions indexed by location. The information here is presented for visual inspection and cross reference. For complete discussions of functions please review the appropriate sections of this manual. All shunt groups and through hole components have square solder pads on pin number one to improve visual orientation.

E1 shunt group:

This group selects VMEbus memory space. See Memory Addressing section, Step 1: Enabling and Disabling Memory.

Memory Access	Location	Shunt
None (disabled)	E1.A32	OUT
	E1.A24	OUT
Standard A24:16	E1.A32	OUT
	E1.A24	IN
Extended A32:D16 DEFAULT	E1.A32	IN
	E1.A24	OUT
Not Allowed	E1.A32	IN
	E1.A24	IN

Figure 19 Memory Enable Shunt Settings

E2 shunt group:

This group selects the IP Memory size. Size settings are required for A24 addressing only. E2 shunt settings are not assigned in any particular order therefore the chart below must be used. See Memory Addressing section, Step 2: Setting Carrier and IP Memory Sizes.

IP Memory Size	Location	Shunt
128 kilobytes DEFAULT	E2.1 to E2.2	OUT
	E2.3 to E2.4	IN
	E2.5 to E2.6	IN
256 kilobytes	E2.1 to E2.2	IN
	E2.3 to E2.4	OUT
	E2.5 to E2.6	IN
512 kilobytes	E2.1 to E2.2	OUT
	E2.3 to E2.4	OUT
	E2.5 to E2.6	IN
1 megabyte	E2.1 to E2.2	IN
	E2.3 to E2.4	IN
	E2.5 to E2.6	OUT
2 megabytes	E2.1 to E2.2	OUT
	E2.3 to E2.4	IN
	E2.5 to E2.6	OUT

Figure 20 IP Memory Size Shunt Settings

E3 and E7 shunt groups:

These shunts select the I/O base address. See I/O Addressing section; I/O Spaces and Configuration

Shunt Loc.	Add. Line	Default	Value
E3.1 to E7.1	A09	IN	0
E3.2 to E7.2	A10	IN	0
E3.3 to E7.3	A11	IN	0
E3.4 to E7.4	A12	IN	0
E3.5 to E7.5	A13	OUT	1
E3.6 to E7.6	A14	OUT	1
E3.7 to E7.7	A15	IN	0

Figure 21 I/O Base Address Shunt Settings
Default I/O Base Address = 0x6000

E4, E5 and E8 shunt groups:

These shunts select the total carrier memory size. Briefly, these three shunt groups route comparator inputs to VME address lines or short input pairs to identical states. See Memory Addressing section, Step 2: Setting Carrier and IP Memory Sizes.

Total VIPC616 Memory Size	IP Size	IP Slot	IP Location Base +	Install	Shunts	from
512 kilobytes DEFAULT	128 k	A	0x000000	E8.1 to	E5.1	to E4.3 to E4.4 to E4.5 to E4.6
	128 k	B	0x020000	E8.2 to	E5.2	
	128 k	C	0x040000		E5.3	
	128 k	D	0x060000		E5.4	
					E5.5	
					E5.6	
1 megabyte	256 k	A	0x000000	E8.1 to	E5.1	to E4.4 to E4.5 to E4.6
	256 k	B	0x040000	E8.2 to	E5.2	
	256 k	C	0x080000	E8.3 to	E5.3	
	256 k	D	0x0C0000		E5.4	
					E5.5	
					E5.6	
2 megabytes	512 k	A	0x000000	E8.1 to	E5.1	to E4.5 to E4.6
	512 k	B	0x080000	E8.2 to	E5.2	
	512 k	C	0x100000	E8.3 to	E5.3	
	512 k	D	0x180000	E8.4 to	E5.4	
					E5.5	
					E5.6	
4 megabytes	1 Meg	A	0x000000	E8.1 to	E5.1	to E4.6
	1 Meg	B	0x100000	E8.2 to	E5.2	
	1 Meg	C	0x200000	E8.3 to	E5.3	
	1 Meg	D	0x300000	E8.4 to	E5.4	
					E5.5	
					E5.6	
8 megabytes	2 Meg	A	0x000000	E8.1 to	E5.1	
	2 Meg	B	0x200000	E8.2 to	E5.2	
	2 Meg	C	0x400000	E8.3 to	E5.3	
	2 Meg	D	0x600000	E8.4 to	E5.4	
					E5.5	
					E5.6	

Figure 22 Carrier Memory Size Shunt Settings

E6 header group:

This group provides user access to the Strobe* signal defined in the IndustryPack specification. The function of these signals will be defined by the IP. The header is intended for connections to external signals, no shunt settings are defined See I/O, Grounds & Strobes section

E6 Pin	Strobe*
E6.1	IP Slot A
E6.2	IP Slot B
E6.3	IP Slot C
E6.4	IP Slot D

Figure 23 Strobe Signals

E9 and E10 shunt groups

These shunts select outgoing VMEbus IRQ levels. The factory configuration is straight across (i.e. E9.1 to E10.1 etc...) See Interrupts section.

IP Slot	IP IRQ Level	E10 Pin	E9 Pin	VMEbus IRQ Level
A	0	1	1	IRQ1
A	1	2	2	IRQ2
B	0	3	3	IRQ3
B	1	4	4	IRQ4
C	0	5	5	IRQ5
C	1	6	6	IRQ6
D	0	7	7	IRQ7
D	1	8		NONE

Figure 24 Interrupt Encoding Configuration Block

E11 and E12 shunt groups

During the IACK cycle these shunts select the returning IntSel* signal destination. The factory configuration is straight across (i.e. E11.1 to E12.1 etc...) See Interrupts section.

VMEbus IACK cycle	E11 pin	E12 pin	IP Slot	IntSel* Level
IRQ7	1	1	D	0
IRQ6	2	2	C	1
IRQ5	3	3	C	0
IRQ4	4	4	B	1
IRQ3	5	5	B	0
IRQ2	6	6	A	1
IRQ1	7	7	A	0
		8	D	1

Figure 25 Interrupt Decoding Configuration Block

E13, 14 and E15 shunt groups

These groups are for user defined connection of the IP slot C I/O connector and the VMEbus P2 connector. VIPC616 is shipped with these locations vacant. See P2 I/O, Grounds & Strobes section. E13 pins are connected directly the IP slot C I/O lines, "pin 1 to pin 1, etc...".

E14 Pin	VMEbus P2	E15 Pin	VMEbus P2
1	C26	1	A26
2	C27	2	A27
3	C28	3	A28
4	C29	4	A29
5	C30	5	A30
6	C31	6	A31
7	C32	7	A32

Figure 26 E14 & E15 (IP Slot C) to VMEbus P2 Connections

E16, E17, E18 and E19 shunt groups

These shunts connect the floating ground planes underneath the I/O connectors to the main ground plane in the VIPC616. See P2 I/O, Grounds & Strobes section. Installing shunts E16 or E18 connects the plane under IP A & B. Installing shunts E17 or E19 connects the plane under IP C & D. The VIPC616 is shipped with these shunts installed.

E20 and E21 shunt groups

These shunts select the A24 and A32 memory base address. See Memory Addressing section, Step 3: Setting Memory Base Address.

Shunt Location	A24 Space Address Line	A32 Space Address Line	Default Setting	Binary Value
E20.1 to E21.1	NC	NC		
E20.2 to E21.2	A17	A25	IN	0
E20.3 to E21.3	A18	A26	IN	0
E20.4 to E21.4	A19	A27	IN	0
E20.5 to E21.5	A20	A28	OUT	1
E20.6 to E20.6	A21	A29	IN	0
E20.7 to E21.7	A22	A30	OUT	1
E20.8 to E21.8	A23	A31	OUT	1

Figure 27 Memory Base Address Shunt Settings
Base Address Defaults: A24 = 0xD00000, A32 = 0xD0000000

VIPC616 for VIPC610 Users

The VIPC616 is the direct evolutionary successor to GreenSpring Computer's popular VIPC610 carrier. The VIPC616 was designed to be 100% backward compatible with the VIPC610. The VIPC610 is no longer recommended for new designs and will be phased out of production. The VIPC616 maintains all the functionality of the VIPC610 and adds improved features. Four commonly requested improvements were implemented on the VIPC616; VMEbus extended memory access (A32:D16), Independent I/O and Memory base address selection, latching connectors and power check LEDs.

The VIPC616 implementation of Short I/O (A16:D16) and Standard Memory (A24:D16) spaces is functionally identical to the VIPC610. VMEbus interface, addressing, memory sizing and interrupts are implemented with the same logic. Two shunt groups have been added to implement Extended Memory access. First, A completely new address decoder has been added for the high order address lines. The I/O base address and A24 memory base address can now be selected independently. Both A32 and A24 memory base addresses are selected with E20 and E21 shunt groups. Secondly, the E1 shunt has been expanded into two separate shunts; E1.A24 and E1.A32. On the old VIPC610 the E1 shunt was installed to enable Standard Memory. On the VIPC616 the E1 shunt has one position for A24 Standard Memory and one position for A32 Extended Memory. Removing the E1 shunt disables memory access.

To configure the VIPC616 as a drop in replacement for the VIPC610 the I/O base address selection must match the Memory base address. This is accomplished by configuring the E20 & E21 shunt groups and the E3 & E7 groups to identical values. The E1.A24 shunt must also, of course, be installed to enable A24 access. Additionally the VIPC616 is set with a factory default memory base address of 0xD00000. This must be changed to 0x600000 if the default VIPC610 configuration is desired.

Memory Enable		
E1.A32		OUT
E1.A24		IN
I/O Base Address		
E3.1 to	E7.1	IN
E3.2 to	E7.2	IN
E3.3 to	E7.3	IN
E3.4 to	E7.4	IN
E3.5 to	E7.5	OUT
E3.6 to	E7.6	OUT
E3.7 to	E7.7	IN
Memory Base Address		
E20.1 to	E21.1	NC
E20.2 to	E21.2	IN
E20.3 to	E21.3	IN
E20.4 to	E21.4	IN
E20.5 to	E21.5	IN
E20.6 to	E21.6	OUT
E20.7 to	E21.7	OUT
E20.8 to	E21.8	IN

Figure 28 VIPC616 Configured for VIPC610 Defaults

Construction and Reliability

IndustryPacks were conceived and engineered for rugged industrial environments. The VIPC616 is constructed out of 0.062 inch thick FR4 material. The six copper layers consist of a ground plane, a power plane and four digital signal planes.

Through hole component mounting is used. IC sockets use gold plated screw-machine pins. High insertion and removal forces are required, which assists in keeping components in place. If the application requires unusually high reliability or is in an environment subject to high vibration, the user may solder the four corner pins of each socketed IC into the socket, using a grounded soldering iron. Shunts may be replaced with wire-wrap® wires if desired.

The IndustryPack connectors are keyed, shrouded and gold plated on both contacts and receptacles. They are rated at 1 Amp per pin, 200 insertion cycles minimum. These connectors make consistent, correct insertion easy and reliable.

The IP is secured to the carrier with four metric M2 stainless steel screws. The heads of these screws are countersunk into the IP. The four screws provide significant protection against shock, vibration, and incomplete insertion. For most applications they are not required.

The IndustryPack provides a low temperature coefficient of 0.89 W/°C for uniform heat. This is based on the temperature coefficient of the base FR4 material of .31 W/m-°C, and taking into account the thickness and area of the IP. This coefficient means that if 0.89 Watts is applied uniformly on the component side, that the temperature difference between the component and the solder side is one degree Celsius.

Warranty and Repair

GreenSpring Computer warrants this product to be free from defects in workmanship and materials under normal use and service and in its original, unmodified condition, for a period of one year from the time of purchase. If the product is found to be defective within the terms of this warranty, GreenSpring Computer's sole responsibility shall be to repair, or at GreenSpring Computer's sole option to replace, the defective product. The product must be returned by the original customer, insured, and shipped prepaid to SBS GreenSpring. All replaced products become the sole property of SBS GreenSpring.

GreenSpring Computer's warranty of and liability for defective products is limited to that set forth herein. SBS GreenSpring disclaims and excludes all other product warranties and product liability, expressed or implied, including but not limited to any implied warranties of merchantability or fitness for a particular purpose or use, liability for negligence in manufacture or shipment of product, liability for injury to persons or property, or for any incidental or consequential damages.

GreenSpring's products are not authorized for use as critical components in life support devices or systems without the express written approval of the president of SBS GreenSpring.

Service Policy

Before returning a product for repair, verify as well as possible that the suspected unit is at fault. Then call the Customer Service Department for a RETURN MATERIAL AUTHORIZATION (RMA) number. Carefully package the unit, in the original shipping carton if this is available, and ship prepaid and insured with the RMA number clearly written on the outside of the package. Include a return address and the telephone number of a technical contact. For out-of-warranty repairs, a purchase order for repair charges must accompany the return. SBS GreenSpring will not be responsible for damages due to improper packaging of returned items. For service on GreenSpring Products not purchased directly from SBS GreenSpring contact your reseller. Products returned to SBS GreenSpring for repair by other than the original customer will be treated as out-of-warranty.

Out of Warranty Repairs

Out of warranty repairs will be billed on a material and labor basis. The current minimum repair charge is \$100. Customer approval will be obtained before repairing any item if the repair charges will exceed one half of the quantity one list price for that unit. Return transportation and insurance will be billed as part of the repair and is in addition to the minimum charge.

For Service Contact:

Customer Service Department
SBS GreenSpring Modular I/O
181 Constitution Drive
Menlo Park, CA 94025
(415) 327-1200
(415) 327-3808 fax
<http://www.greenspring.com>

Specifications

VMEbus Conformance	Revision IEEE P1024/D1.2
VMEbus Form Factor	6U (double high)
IndustryPack® Conformance	ANSI/VITA 4—1996
Number of IndustryPacks	Four single-high, or Two double-high
IP ID PROM Mapping	A16, 128 bytes/IP
IP I/O Mapping	A16, 128 bytes/IP
IP Memory Mapping	A24 or A32
Memory Size	None, or 128 kbytes to 4 MB in 6 increments for the A24 space or 32 MB fixed in the A32 space.
VMEbus Interrupts	IRQ1 through IRQ7, shunt selectable, or User PLD selectable.
I/O Interconnect	Four latching 50-pin 0.100 inch flat cable connectors
Front Panel Indicators	Two IP's I/O available on P2 Six green LED's, One ACK Flash LED for each slot Two PWR Check LEDs, A/B and C/D.
Power Requirements	+ 5 V @ 610 mA typical +12 V @ 0 mA – 12 V @ 0 mA Additional power is consumed by IndustryPacks
Environmental	0° C to 70° C operating 5 to 95% relative humidity (non condensing)
Size	–10 to + 85° C storage 172 mm deep 232 mm high (incl. front panel)
Weight	13.6 mm thick 0.34 Kg

Order Information

VIPC616	IP Carrier for 6U VMEbus with A32 memory support
---------	---

Schematics

Schematics are provided here for customer *reference only*. This information was current at the time the printed circuit board was last revised. This revision letter is shown on the front of this manual as “Corresponding Hardware Revision.” This information is not necessary current or complete manufacturing data, nor is it part of the product specification. All information following is Copyright SBS GreenSpring Modular I/O.

Current manufacturing information, including schematics, programmed device listings, bills-of-material, and assembly diagrams are available from SBS GreenSpring Modular I/O as part of the Engineering Kit option or from your international distributor.